



# Minimizer

**ON** THE TRUCK | **IN** THE TRUCK | **FIX** THE TRUCK

THE MINIMIZER ADVANTAGE:

# 2016 CATALOG



Dear Friends of Minimizer™,

Thank you for your interest in Minimizer. You may notice something new about this year's catalog. We've segmented our products into three categories: On the Truck, In the Truck, Fix the Truck. The reason is pretty simple – we have several new products and we want you to be able to find them quickly!

Our product lines are expanding every year, and for the sake of everyone involved, it seemed to make the most sense to divide the products into groups - those that go "On the Truck", such as our Fenders, Brackets and Slick Plates; those that go "In the Truck", like our Custom Molded Floor Mats; and those that help you "Fix the Truck", like our Work Benches and Tire Mask system.

We hope that this makes it easier to find one of our Tested and Tortured products in our ever-growing catalog.



Thanks for your business.  
Enjoy the catalog!

Craig Kruckeberg  
CEO & Chief Visionary  
craig@minimizer.com

## About Minimizer

Headquartered in Blooming Prairie, Minnesota, USA, Minimizer™ manufactures the lightest, most durable, longest lasting truck fenders, toolboxes, custom floor mats, custom mud flaps, industry-leading bracket kits, and truck accessories in the trucking industry. Family owned and operated for 30 years and three generations, Minimizer™ uses durable materials and proprietary processes to build long lasting products that are tough enough to please people in a tough industry.

# CATALOG **INDEX**

## **ON THE TRUCK**

Minimizer Advantage	3 - 82
Standard Fenders	5
Unique Options	6
Poly Fenders	7 - 12
Fender Options	13 - 62
Installation Kits	63 - 64
Tool Boxes	65 - 72
Slick Plate	73 - 74
Mud Flaps	75 - 76
Light Panels	77 - 78
LED Lights	79 - 80
Slick Disk	81

## **IN THE TRUCK**

Custom Molded Floor Mats	83 - 86
--------------------------	---------

## **FIX THE TRUCK**

Single Tire Work Bench	85 - 86
Dual Tire Work Bench	87 - 94
Tandem Work Bench	90
Tire Mask	91
	92
	93 - 94

## **RESOURCES**

Our Family's Warranty	95 - 106
Lawyer's Warranty	97 - 98
Service Parts	99 - 100
Return Policy	101
Minimizer On The Web	102
Customer Photos	103 - 104
	105 - 106



**INDEX**



THE MINIMIZER ADVANTAGE:

# ON THE TRUCK

# THE MINIMIZER

ON THE TRUCK

The Minimizer™ product family continues to grow and diversify. While we are still very proud of award winning fenders and brackets, we manufacture and sell many other products that go **ON THE TRUCK!**



Our industry leading fenders are manufactured using long chain hydrocarbon polyethylene material and thermoformed using proprietary technology. Minimizer™ fenders completely cover wheels and are designed with a unique lip that provides superior control of spray and debris so your loads and equipment are safer and cleaner. When dented or crushed they bounce back into shape. The material is extremely durable, impervious to salt and corrosion, and can withstand temperatures ranging from -100° F to 197° F.

The award-winning Minimizer™ never stops innovating. We go head-to-head with shiny metal fenders (that bend and break) with the introduction of the new Minimizer™ Mirror Finishes. You get the remarkable shine and reflection of a metal fender combined with the durability of The Minimizer™ Advantage. And now we've launched the new Minimizer™ Carbon Fiber Poly! This new look adds a unique style to any truck and trailer.

You want tougher products for your rig. You know Minimizer™ has always made the industry's most durable fenders. Now we're bringing you that same quality and dependability with the Minimizer™ Light Panels, Slick Plates, Tool Boxes and Mud Flaps. You get the same product performance and guarantees you've come to expect from Minimizer™, while protecting and customizing your rig!

## SAFETY

In the past, when purchasing a truck, fenders were not a significant consideration. It was a bonus if fenders were included with the truck. But stock fenders didn't perform well and it didn't take long before they were destroyed.

Today, truckers and fleet owners are more conscientious about safety, spray and debris control, and aesthetics. They recognize safety, performance, and proper equipment maintenance have a direct connection with the bottom line. In many jurisdictions, the use of fenders is a legal requirement.

Let's talk about weight. Our moniker boasts we manufacture the lightest truck fenders. What does that mean to you? A lighter fender means better fuel mileage, performance and efficiency. You want to be carrying loads not heavy fenders. Talk about a return on investment.

The right products must be chosen. Nothing beats Minimizer™!

## SEE IT

You have to see the performance of Minimizer™ products to believe it. Check out the video section at [www.minimizer.com](http://www.minimizer.com) to see the abuse our fenders can take in the new Proving Grounds video and watch the new Anti-Spray video that shows our fenders ability to control debris and road spray!

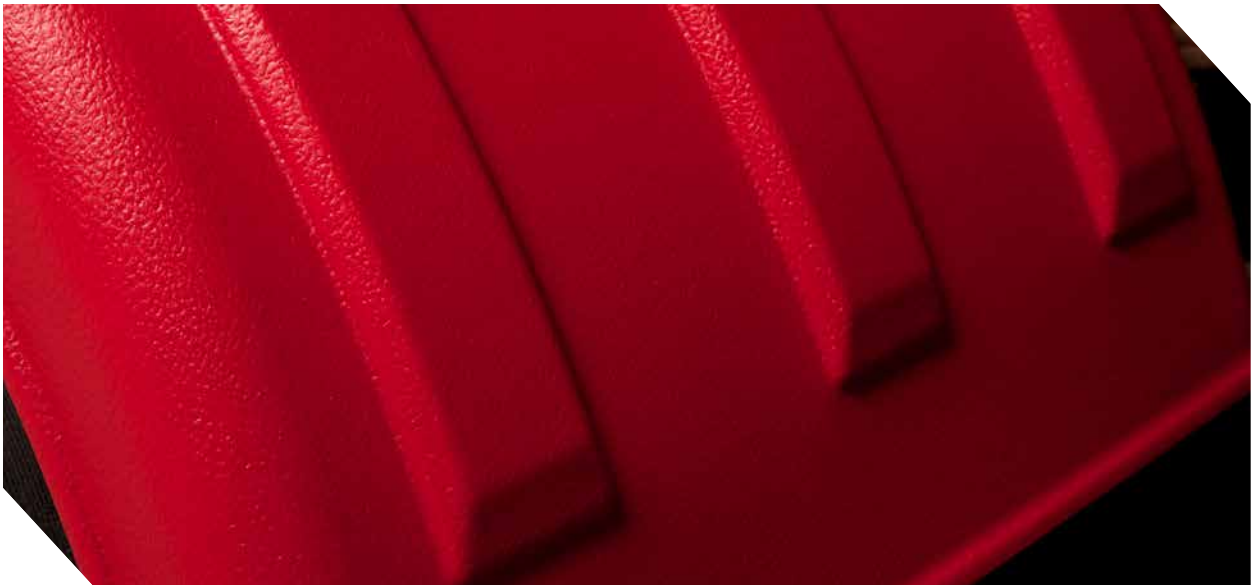


# MINIMIZER ADVANTAGE

## STANDARD FENDERS

Minimizer™ offers a variety of semi-truck fender styles, colors and options. With an outstanding reputation of quality, durability, and style, our fenders will enhance your truck's appearance and lifespan. Minimizer™ truck fenders never rust because they are a proprietary Minimizer™ material. The color is molded throughout so chips, scuffs and scratches can't be seen. The fender never needs to be painted and never fades. The Minimizer™ fender itself should never need maintenance other than the occasional wash using any all-purpose cleaner. Contact us for more information on semi-truck and trailer fenders.

ON THE TRUCK



**NEVER NEEDS PAINT:** Color is molded throughout, so chips, scuffs and scratches can't be seen.

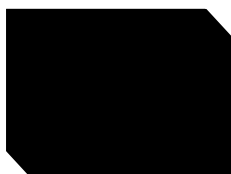
**NEVER FADES:** UV inhibitors are built into the material.

**NEVER RUSTS:** Material is 100% polyethylene.

**NEVER STRESS CRACKS:** The unique material is not affected by road conditions.

**NEVER NEEDS POLISHING:** Simply clean with soap and water.

Black



Galvanized



Red



White



Green



# CARBON FIBER

ON THE TRUCK



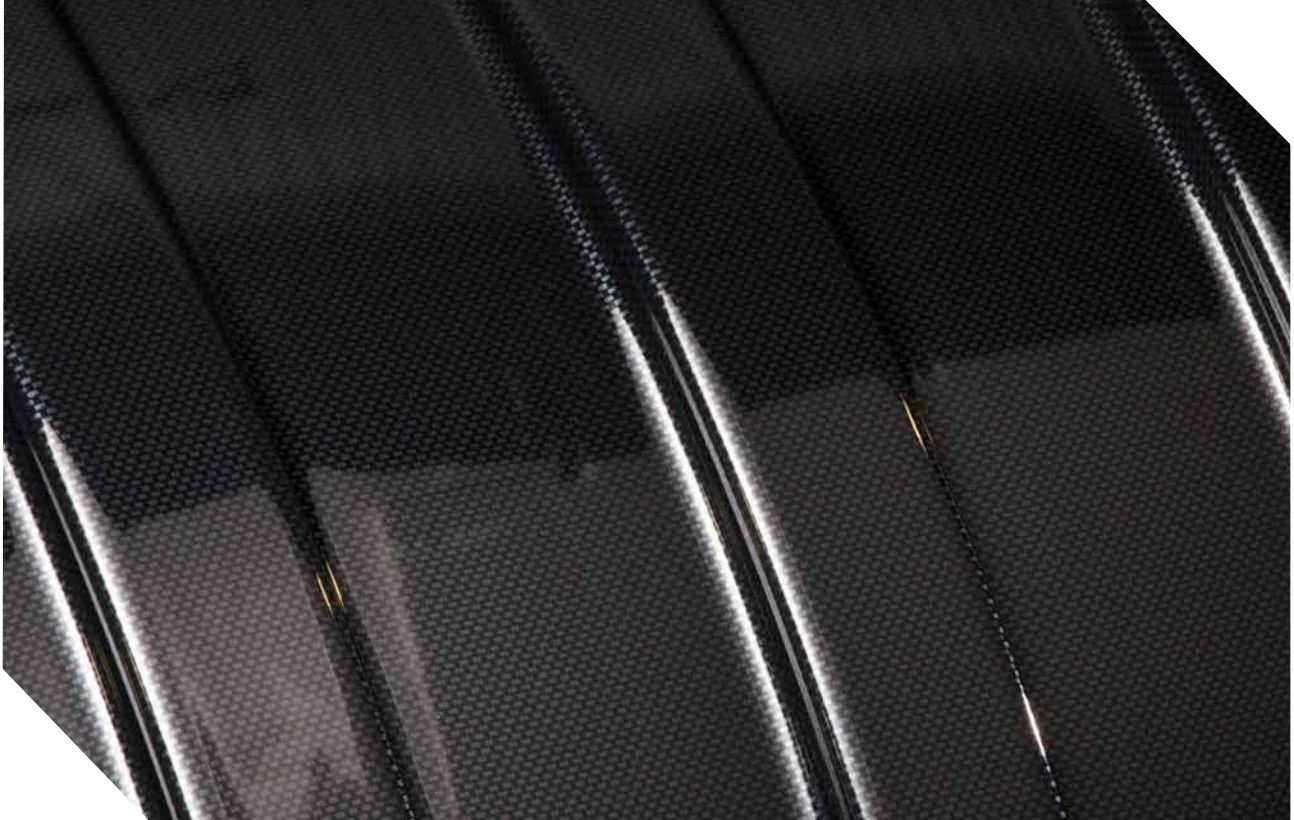
## THE LATEST IN **INNOVATION**

The Latest in Innovation from Minimizer™, the distinctive look of Carbon Fiber... Combined with the unmatched advantages of Minimizer™ fenders: **NO PAINTING, NO FADING, NO RUST AND NO CRACKS.** Minimizer™ Carbon Fiber fenders are the first of our unique Paint Films to hit the market and are now available via the Minimizer™ Worldwide Distribution Network.



# UNIQUE OPTIONS

ON THE TRUCK



## CARBON FIBER **DECORATED BRACKETS**

Minimizer™ offers multiple decorated bracket arm finishes. Each option provides the same high level of performance and durability as our standard black poly bracket arms. Just another innovation in unique aftermarket products.

# MIRROR FINISH

ON THE TRUCK



## AN INDUSTRY **BREAKTHROUGH**

The NEW and IMPROVED Minimizer™ Silver Mirror Finish and Smoky Black Mirror Finish poly fenders, with a remarkable shine and reflection that metal fenders can't match... Combined with the unmatched advantages of Minimizer™ Fenders: NO PAINTING, NO FADING, NO RUST AND NO CRACKS. Minimizer™ Mirror Finish and Smoky Black Mirror Finish poly fenders are now available via the Minimizer™ Worldwide Distribution Network.





# UNIQUE OPTIONS



ON THE TRUCK



## MIRROR FINISH **DECORATED BRACKETS**

Minimizer™ offers multiple decorated bracket arm finishes. Each option provides the same high level of performance and durability as our standard black poly bracket arms. Just another innovation in unique aftermarket products.

# LIQUID PLATIUM

ON THE TRUCK



## AN INDUSTRY **BREAKTHROUGH**

Tired of fenders denting, cracking, or rusting, but crave the beautiful shine of metal fenders? Liquid Platinum finished fenders are for you. These fenders are made from a TPO material that's laminated with the same Class A finish film widely used in the automotive industry. Fenders shine up with soap and water with NO buffing... ever. Liquid Platinum is currently available in most fender models.



# UNIQUE OPTIONS



ON THE TRUCK



## LIQUID PLATIUM **DECORATED BRACKETS**

Minimizer™ offers multiple decorated bracket arm finishes. Each option provides the same high level of performance and durability as our standard black poly bracket arms. Just another innovation in unique aftermarket products.

# PAINTABLE

ON THE TRUCK



Minimizer™ TPO is a material engineered to be painted. Your body shop specialist will be able to match just about any color. So get creative and go for that truly custom look. The shine and finish will rival fiberglass or metal... but our fender's legendary durability stands alone.

## Step 1



**MOLD**

## Step 2



**PRIME**

## Step 3



**PAINT**

# DIAMOND **PLATE**



**ON THE TRUCK**



Minimizer™ fenders that look like diamond plate... but last like our incredible fenders. Tired of fenders denting, cracking or rusting, but like the look of diamond plate? Diamond plate poly is available for most of our fender styles... a timeless great look, but with the durability of “never-dent” poly.

**Available in Silver and Black**



# MIN1600 FENDER SERIES

ON THE TRUCK



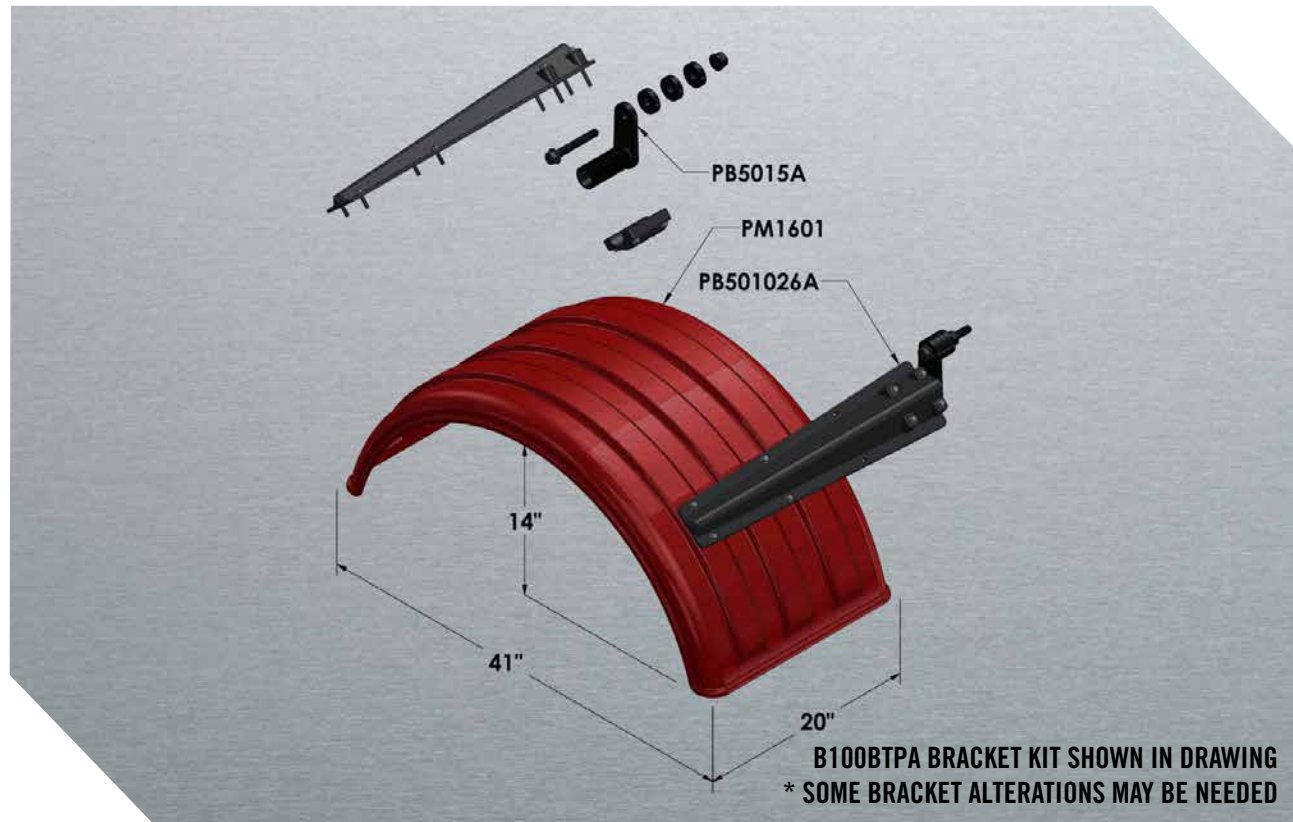
## THE ONE TON

- MIN1600 is designed to fit a single axle tractor or trailer with 16.5" wheels.
- The set consists of 2 pieces (2 - PM1601 single fenders).
- The total weight of the MIN1600 fender kit is less than 11 pounds.
- See page 63 for complete list of fenders and additional color, material, and lightbox options.



# THE ONE TON

"Just wanted to send you a picture of my new truck. The install was simple - I love my fenders."



ON THE TRUCK

## INSTALLATION **KITS**

- **B100BTPA** - Black Plastic Bolt-on Kit
- **B100BTPACF** - Carbon Fiber Plastic Bolt-on Kit
- **B100BTPAMIRROR** - Mirror Finish Plastic Bolt-on Kit
- **B100BTPAPL** - Liquid Platinum Plastic Bolt-on Kit
- **B100PBA** - Plastic Paddle Bracket Bolt-on Kit
- **B100BTSA** - Stainless Bolt-on Kit
- **B100WOA** - Weld-on Kit

SEE **PAGE 65-70** FOR MORE INFORMATION ON AVAILABLE INSTALLATION KITS

# MIN1900 FENDER SERIES

ON THE TRUCK



## LIL' SCRAPPER

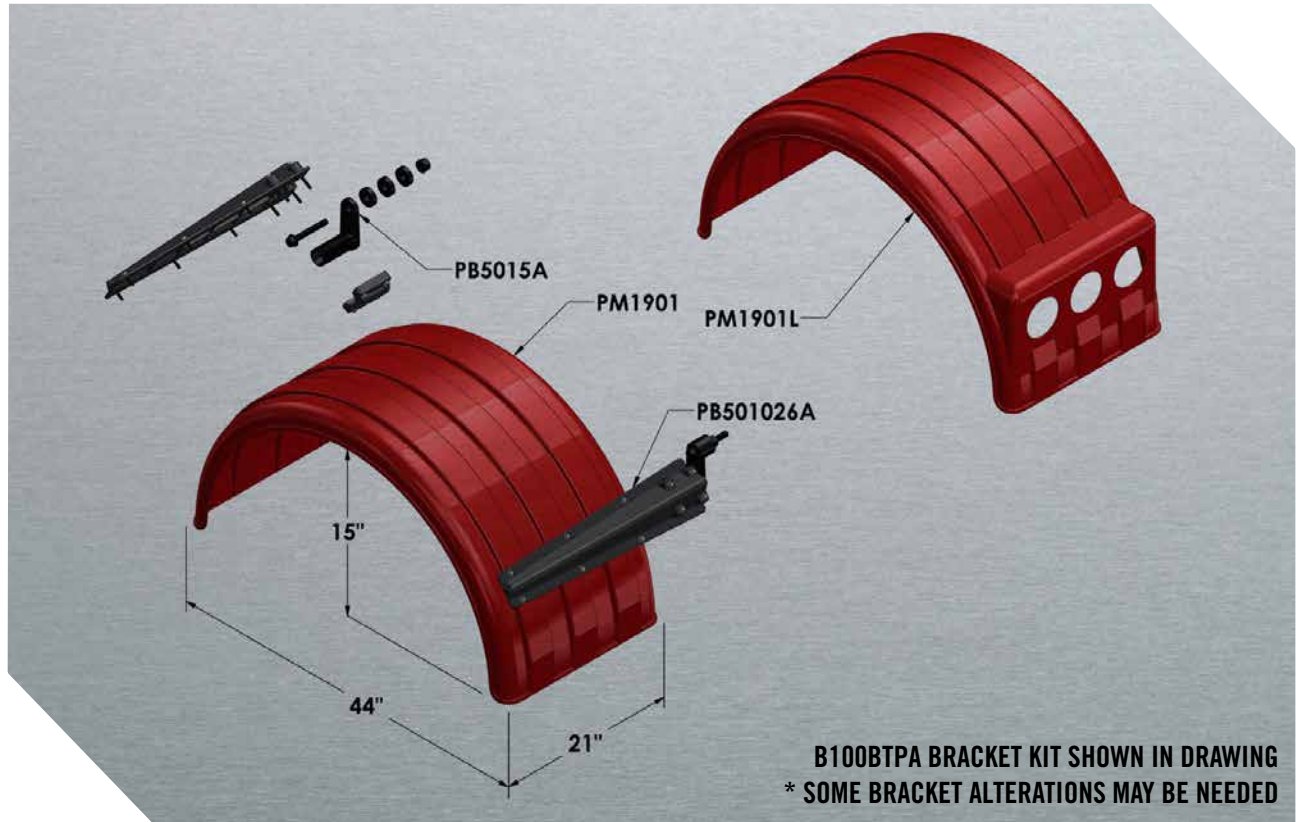
- MIN1900 is designed to fit a single axle tractor or trailer with 19.5" wheels.
- The set consists of 2 pieces (2 - PM1901 single fenders).
- The total weight of the MIN1900 fender kit is less than 14 pounds.
- See page 63 for complete list of fenders and additional color, material, and lightbox options.





# LIL' SCRAPPER

"I love the way the fenders wrap around the tire for complete coverage."



ON THE TRUCK

## INSTALLATION **KITS**

- **B100BTPA** - Black Plastic Bolt-on Kit
- **B100BTPACF** - Carbon Fiber Plastic Bolt-on Kit
- **B100BTPAMIRROR** - Mirror Finish Plastic Bolt-on Kit
- **B100BTPAPL** - Liquid Platinum Plastic Bolt-on Kit
- **B100PBA** - Plastic Paddle Bracket Bolt-on Kit
- **B100BTSA** - Stainless Bolt-on Kit
- **B100WOA** - Weld-on Kit

SEE **PAGE 65-70** FOR MORE INFORMATION ON AVAILABLE INSTALLATION KITS

# MIN2260 FENDER SERIES

ON THE TRUCK



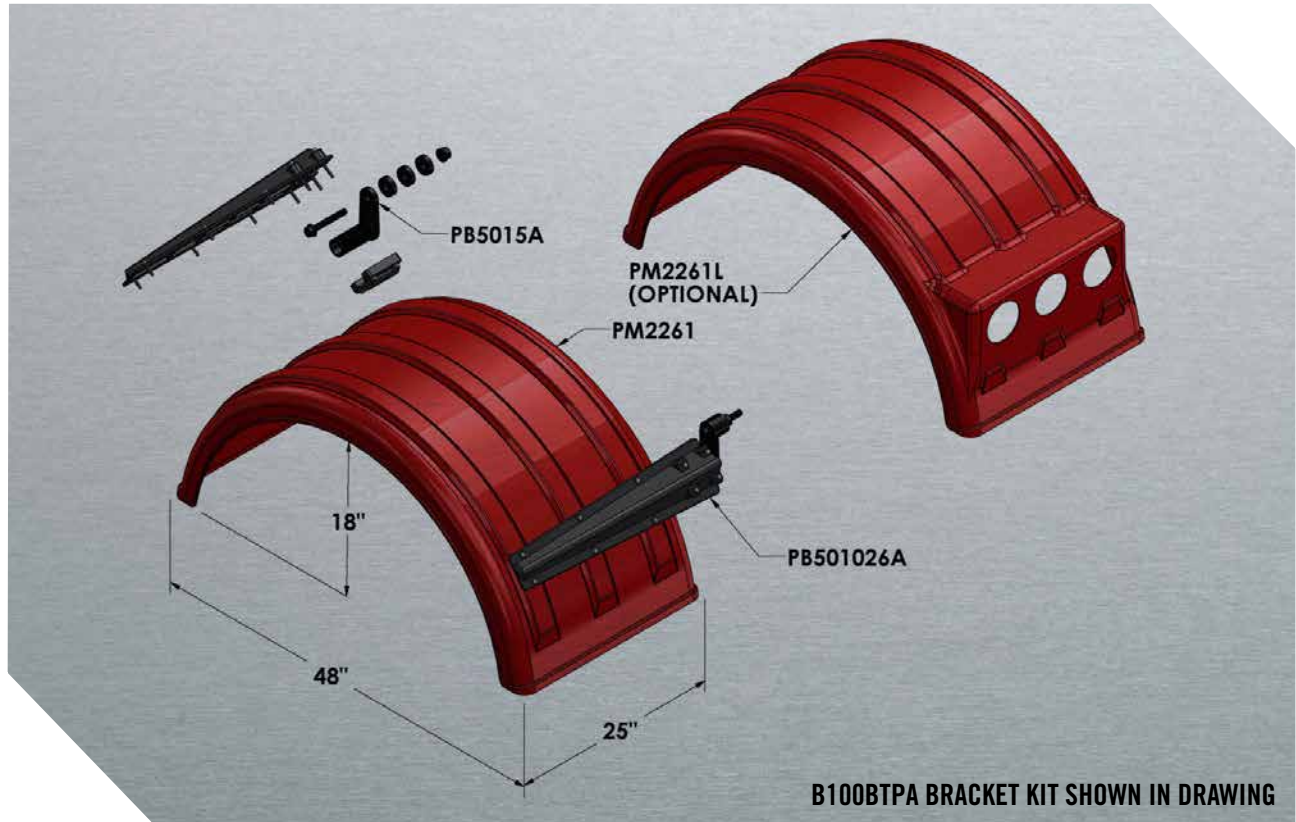
## THE TT TWIN

- MIN2260 is designed to fit a single, tandem, or multi axle tractor or trailer with 22.5" or 24.5" wheels.
- The set consists of 2 pieces (2 - PM2261 single fenders).
- The total weight of the MIN2260 fender kit is less than 24 pounds.
- See page 63 for complete list of fenders and additional color, material, and lightbox options.



# THE TT TWIN

"I'm impressed with the 'showroom like' looks after thousands of miles on the road and years of abuse."



ON THE TRUCK

## INSTALLATION **KITS**

- **B100BTPA** - Black Plastic Bolt-on Kit
- **B100BTPACF** - Carbon Fiber Plastic Bolt-on Kit
- **B100BTPAMIRROR** - Mirror Finish Plastic Bolt-on Kit
- **B100BTPAPL** - Liquid Platinum Plastic Bolt-on Kit
- **B100PBA** - Plastic Paddle Bracket Bolt-on Kit
- **B100BTSA** - Stainless Bolt-on Kit
- **B100WOA** - Weld-on Kit

SEE **PAGE 65-70** FOR MORE INFORMATION ON AVAILABLE INSTALLATION KITS

# MIN2480 FENDER SERIES

TH

ON THE TRUCK



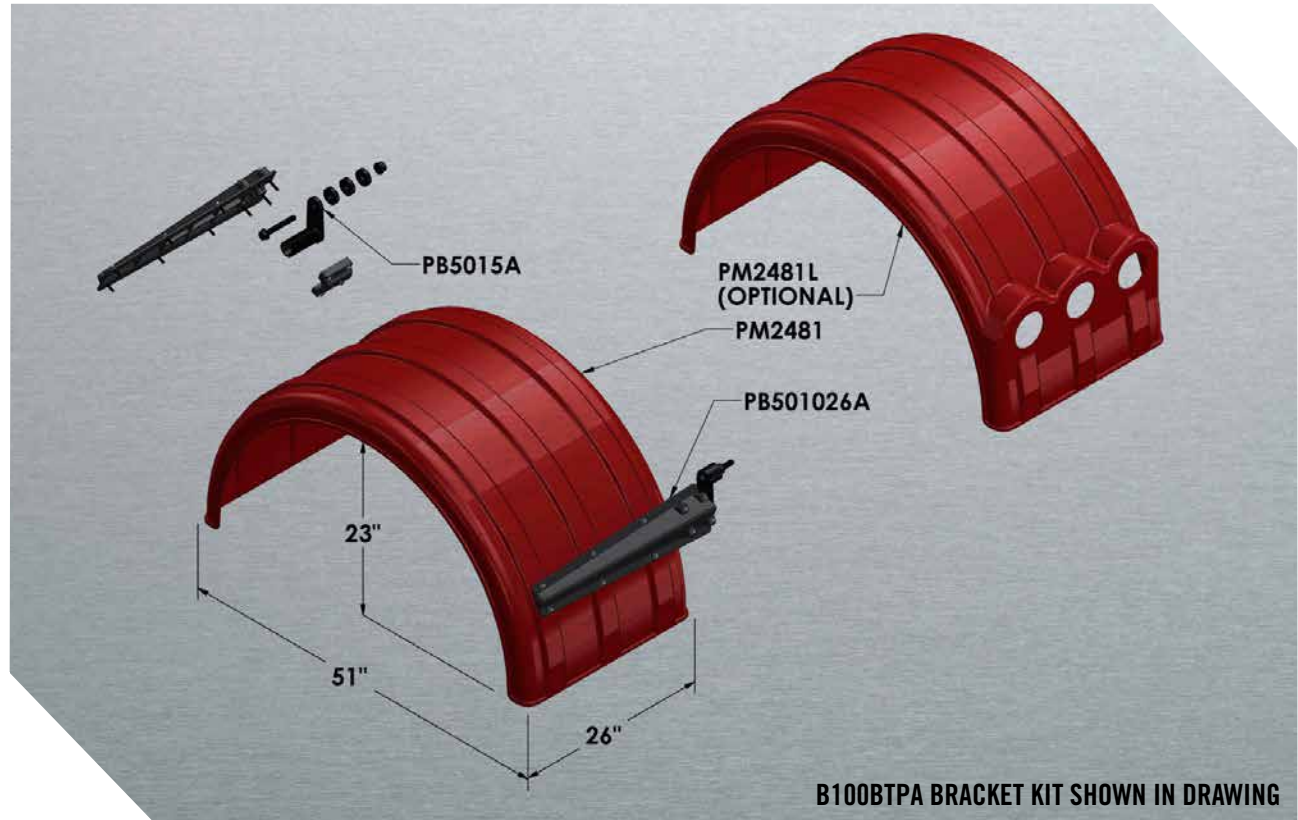
## THE TEXAS **DOUBLE**

- MIN2480 is designed to fit a single, tandem, or multi axle tractor or trailer with 24.5" wheels.
- The set consists of 2 pieces (2 - PM2481 single fenders).
- The total weight of the MIN2480 fender kit is less than 26 pounds.
- See page 63 for complete list of fenders and additional color, material, and lightbox options.



# E TEXAS DOUBLE

"I'm impressed with the 'showroom like' looks after thousands of miles on the road and years of abuse."



ON THE TRUCK

## INSTALLATION **KITS**

- **B100BTPA** - Black Plastic Bolt-on Kit
- **B100BTPACF** - Carbon Fiber Plastic Bolt-on Kit
- **B100BTPAMIRROR** - Mirror Finish Plastic Bolt-on Kit
- **B100BTPAPL** - Liquid Platinum Plastic Bolt-on Kit
- **B100PBA** - Plastic Paddle Bracket Bolt-on Kit
- **B100BTSA** - Stainless Bolt-on Kit
- **B100WOA** - Weld-on Kit

SEE **PAGE 65-70** FOR MORE INFORMATION ON AVAILABLE INSTALLATION KITS

# MIN150 FENDER SERIES

ON THE TRUCK



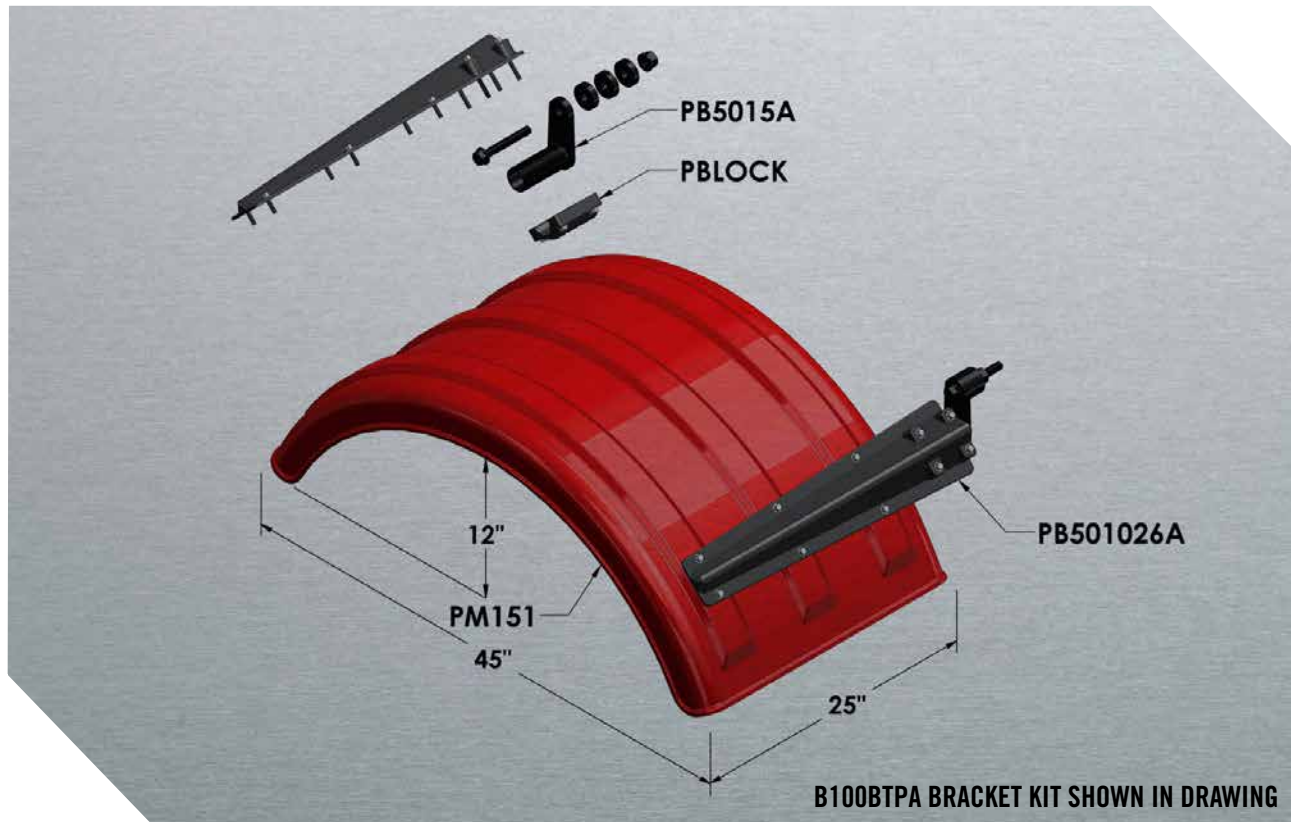
## THE EYEBROW

- MIN150 is designed to fit a single, tandem, or multi axle tractor or trailer with 22.5" or 24.5" wheels.
- The set consists of 2 pieces (2 - PM151 single fenders).
- The total weight of the MIN150 fender kit is less than 17 pounds.
- See page 63 for complete list of fenders and additional color, material, and lightbox options.



# THE EYEBROW

"My experiences with both the company and the product were terrific."



## INSTALLATION **KITS**

- **B100BTPA** - Black Plastic Bolt-on Kit
- **B100BTPACF** - Carbon Fiber Plastic Bolt-on Kit
- **B100BTPAMIRROR** - Mirror Finish Plastic Bolt-on Kit
- **B100BTPAPL** - Liquid Platinum Plastic Bolt-on Kit
- **B100PBA** - Plastic Paddle Bracket Bolt-on Kit
- **B100BTSA** - Stainless Bolt-on Kit
- **B100WOA** - Weld-on Kit

SEE **PAGE 65-70** FOR MORE INFORMATION ON AVAILABLE INSTALLATION KITS

# MIN4050 FENDER SERIES

ON THE TRUCK



## THE HALF HORSE

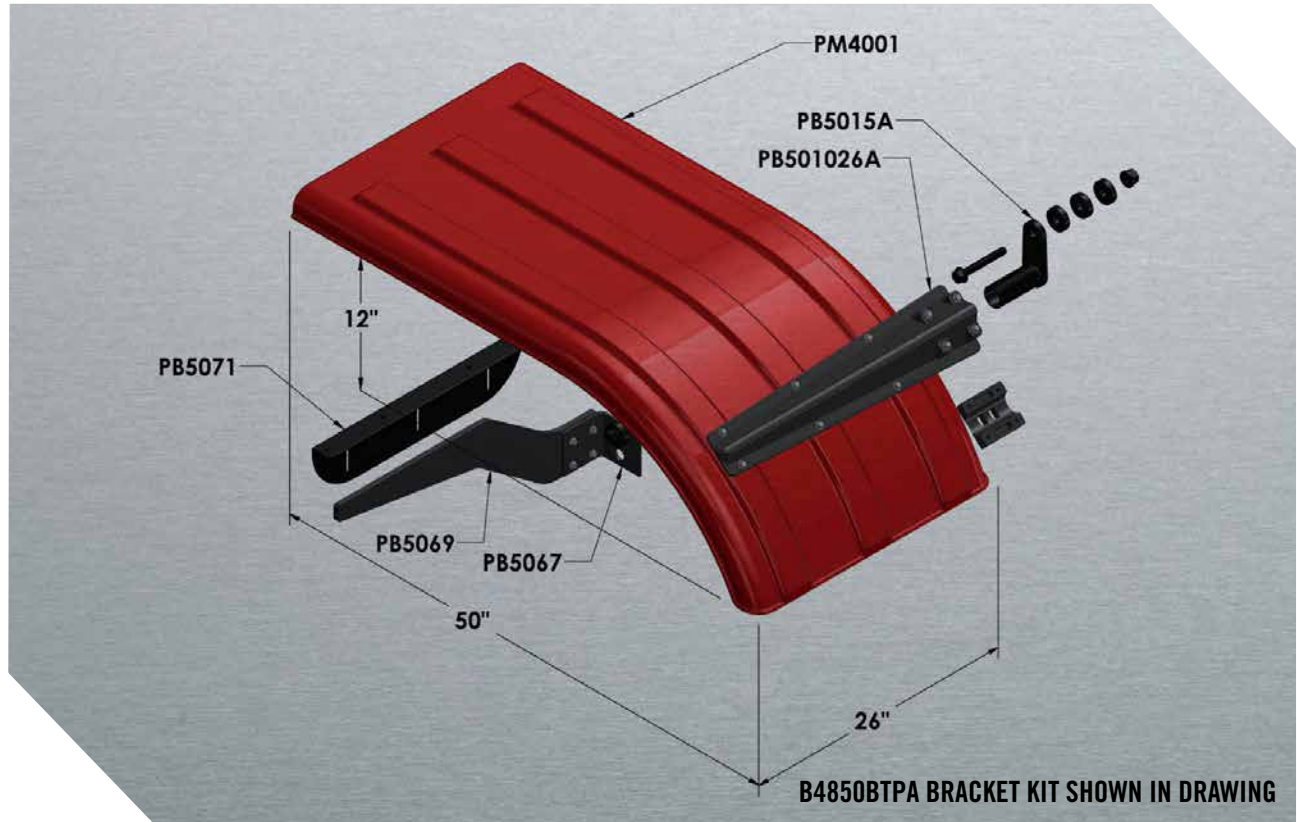
- MIN4050 is designed to fit a tandem axle tractor or trailer as a half fender.
- The set consists of 2 pieces (2 - PM4001 fender sections).
- The total weight of the MIN4050 fender kit is less than 23 pounds.
- Optional splash guards are available.
- See page 63 for complete list of fenders and additional color, material, and lightbox options.





# THE HALF HORSE

"The back of my day cab has never looked so nice."



ON THE TRUCK

## INSTALLATION **KITS**

- B4850**BTPA** - Black Plastic Bolt-on Kit
- B4850**BTPACF** - Carbon Fiber Plastic Bolt-on Kit
- B4850**BTPAMIRROR** - Mirror Finish Plastic Bolt-on Kit
- B4850**BTPAPL** - Liquid Platinum Plastic Bolt-on Kit
- B4850**PBA** - Plastic Paddle Bracket Bolt-on Kit
- B4850**BTSA** - Stainless Bolt-on Kit
- B4850**WOA** - Weld-on Kit

SEE **PAGE 65-70** FOR MORE INFORMATION ON AVAILABLE INSTALLATION KITS

# MIN950 FENDER SERIES

ON THE TRUCK



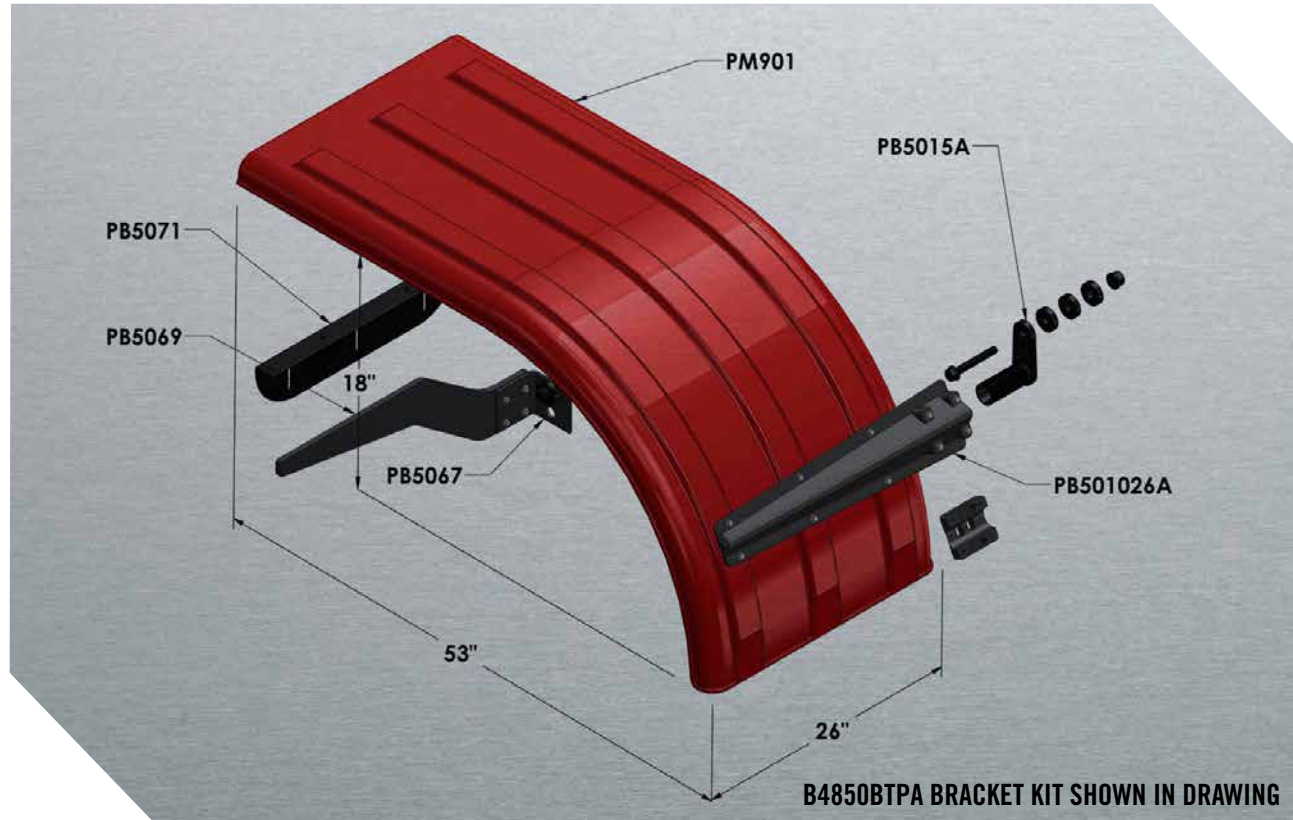
## THE BRUTE **HALF**

- MIN950 is designed to fit a tandem axle tractor or trailer as a half fender.
- The set consists of 2 pieces (2 - PM901 fender sections).
- The total weight of the MIN950 fender kit is less than 26 pounds.
- Optional splash guard available.
- See page 63 for complete list of fenders and additional color, material, and lightbox options.



# THE BRUTE HALF

"My lowboy trailer has come down on my fenders several times, but you'd never know it by lookin' at them."



ON THE TRUCK

## INSTALLATION KITS

- B4850BTPA - Black Plastic Bolt-on Kit
- B4850BTPACF - Carbon Fiber Plastic Bolt-on Kit
- B4850BTPAMIRROR - Mirror Finish Plastic Bolt-on Kit
- B4850BTPAPL - Liquid Platinum Plastic Bolt-on Kit
- B4850PBA - Plastic Paddle Bracket Bolt-on Kit
- B4850BTSA - Stainless Bolt-on Kit
- B4850WOA - Weld-on Kit

SEE PAGE 65-70 FOR MORE INFORMATION ON AVAILABLE INSTALLATION KITS

# MIN1550 FENDER SERIES

# SQ

ON THE TRUCK



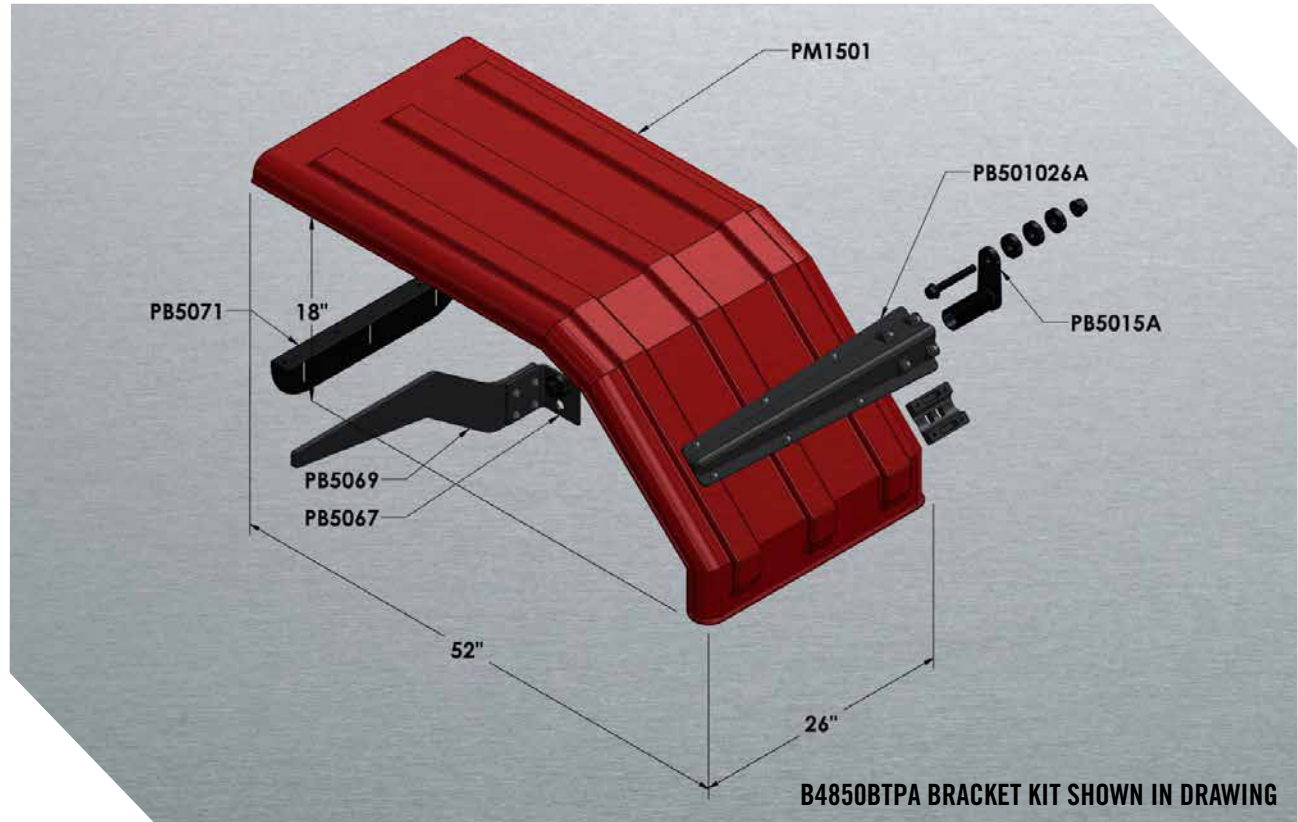
## SQUARE BACK HALF

- MIN1550 is designed to fit a tandem axle tractor or trailer as a half fender.
- The set consists of 2 pieces (2 – PM1501 fender sections).
- The total weight of the MIN1550 is less than 22 pounds.
- Optional splash guard available.
- See page 63 for complete list of fenders and additional color, material, and lightbox options.



# UARE BACK HALF

"I love the coverage these half fenders provide, they really protect the back of my truck."



ON THE TRUCK

## INSTALLATION **KITS**

- B4850**BTPA** - Black Plastic Bolt-on Kit
- B4850**BTPACF** - Carbon Fiber Plastic Bolt-on Kit
- B4850**BTPAMIRROR** - Mirror Finish Plastic Bolt-on Kit
- B4850**BTPAPL** - Liquid Platinum Plastic Bolt-on Kit
- B4850**PBA** - Plastic Paddle Bracket Bolt-on Kit
- B4850**BTSA** - Stainless Bolt-on Kit
- B4850**WOA** - Weld-on Kit

SEE **PAGE 65-70** FOR MORE INFORMATION ON AVAILABLE INSTALLATION KITS

# MIN4000 FENDER SERIES

ON THE TRUCK



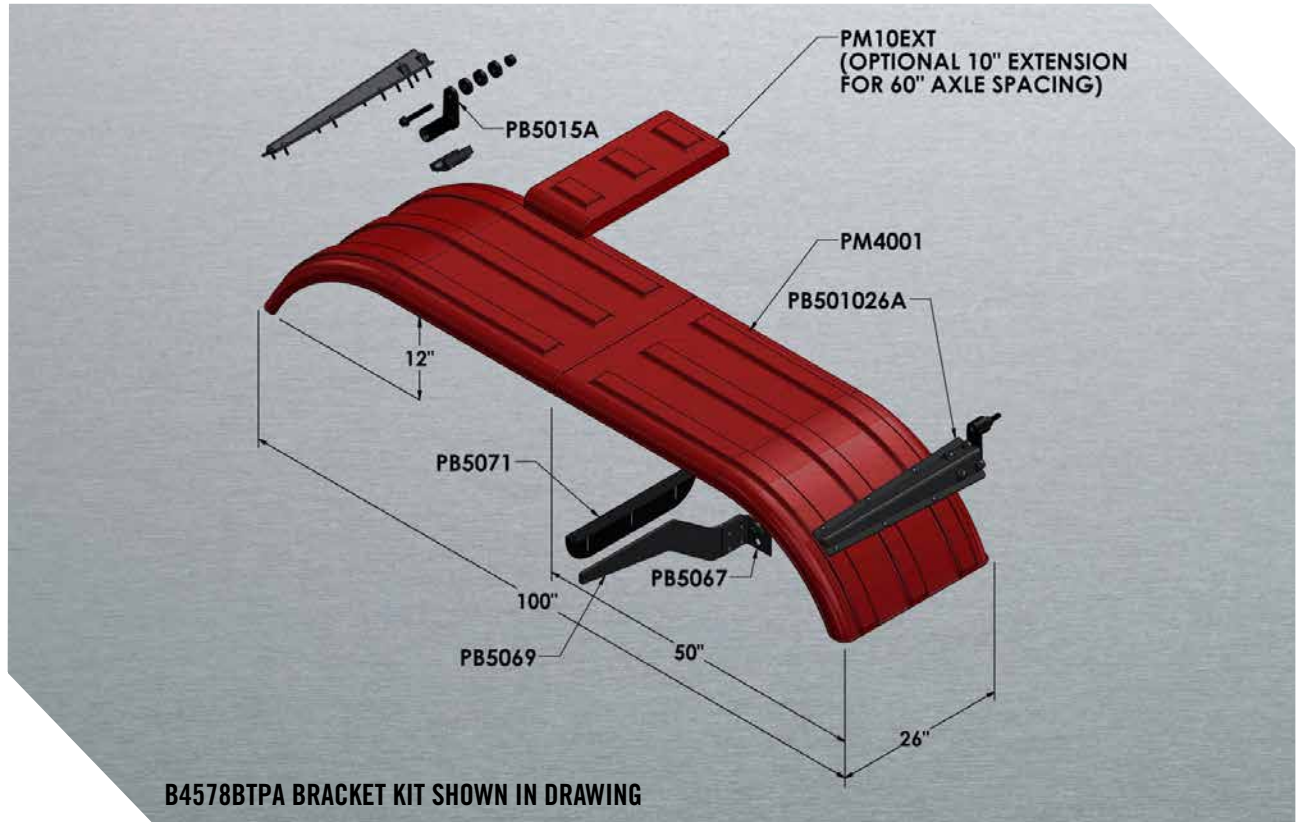
## THE WORK HORSE

- MIN4000 is designed to fit a tandem axle tractor or trailer.
- The set consists of 4 pieces (4-PM4001 fender sections).
- The total weight of the MIN4000 fender kit is less than 42 pounds.
- 10" extension available for trucks with 60" axle spacing.
- See page 63 for complete list of fenders and additional color, material, and lightbox options.



# THE WORK HORSE

"My line of work is demanding and hard on equipment but I never worry about my fenders..... Never."



ON THE TRUCK

## INSTALLATION KITS

- B4578**BTPA** - Black Plastic Bolt-on Kit
- B4578**BTPACF** - Carbon Fiber Plastic Bolt-on Kit
- B4578**BTPAMIRROR** - Mirror Finish Plastic Bolt-on Kit
- B4578**BTPAPL** - Liquid Platinum Plastic Bolt-on Kit
- B4578**PBA** - Paddle Bracket Bolt-on Kit
- B4578**BTSA** - Stainless Bolt-on Kit
- B4578**WOA** - Weld-on Kit

SEE **PAGE 65-70** FOR MORE INFORMATION ON AVAILABLE INSTALLATION KITS

# MIN900 FENDER SERIES

ON THE TRUCK



## THE BRUTE

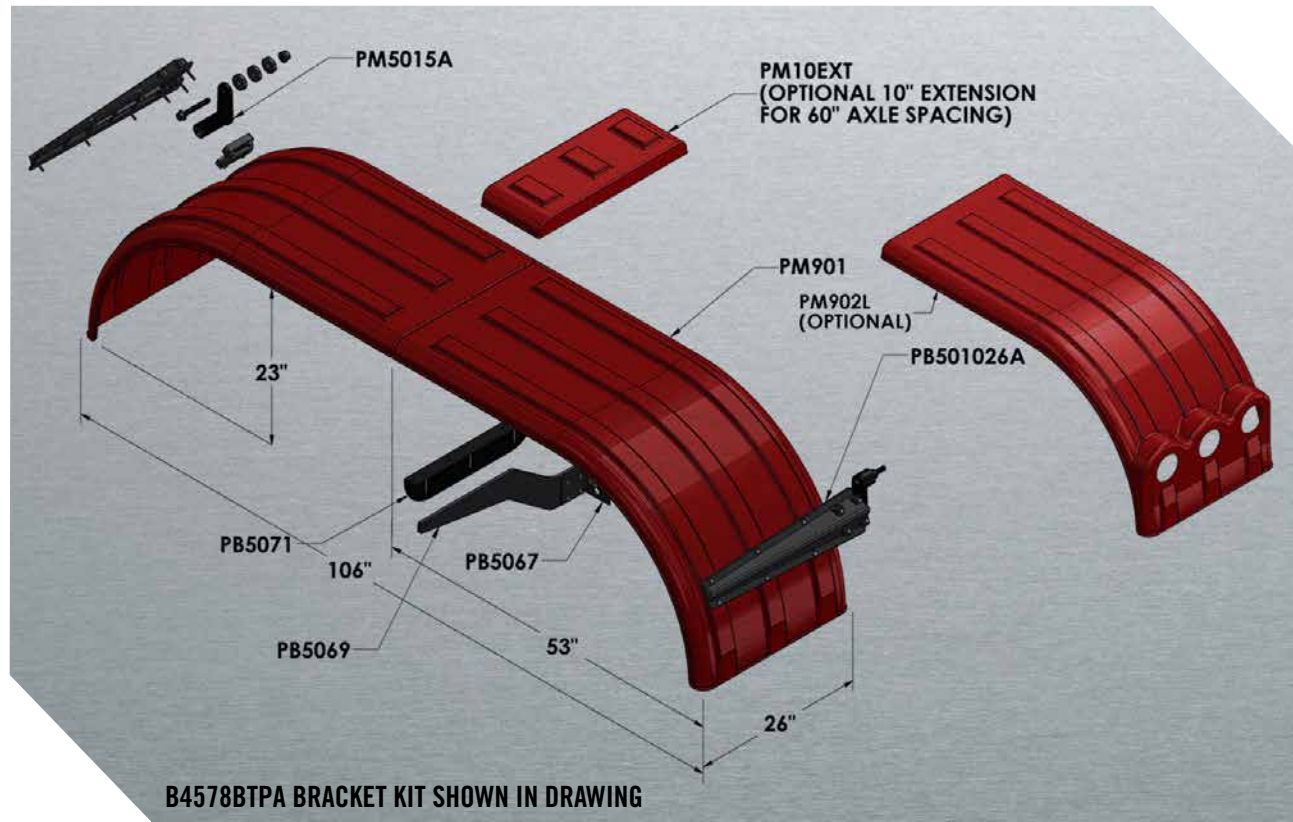
- MIN900 is designed to fit a tandem axle tractor or trailer.
- The set consists of 4 pieces (4 - PM901 single fenders).
- The total weight of the MIN900 fender kit is less than 52 pounds.
- 10" extension available for trucks with 60" axle spacing.
- See page 63 for complete list of fenders and additional color, material, and lightbox options.





# THE BRUTE

"I love the way the fenders wrap around the tire for complete coverage."



ON THE TRUCK

## INSTALLATION KITS

- B4578**BTPA** - Black Plastic Bolt-on Kit
- B4578**BTPACF** - Carbon Fiber Plastic Bolt-on Kit
- B4578**BTPAMIRROR** - Mirror Finish Plastic Bolt-on Kit
- B4578**BTPAPL** - Liquid Platinum Plastic Bolt-on Kit
- B4578**PBA** - Paddle Bracket Bolt-on Kit
- B4578**BTSA** - Stainless Bolt-on Kit
- B4578**WOA** - Weld-on Kit

SEE **PAGE 65-70** FOR MORE INFORMATION ON AVAILABLE INSTALLATION KITS

# MIN1500/1554 FENDER SERIES

# SQUAR

ON THE TRUCK



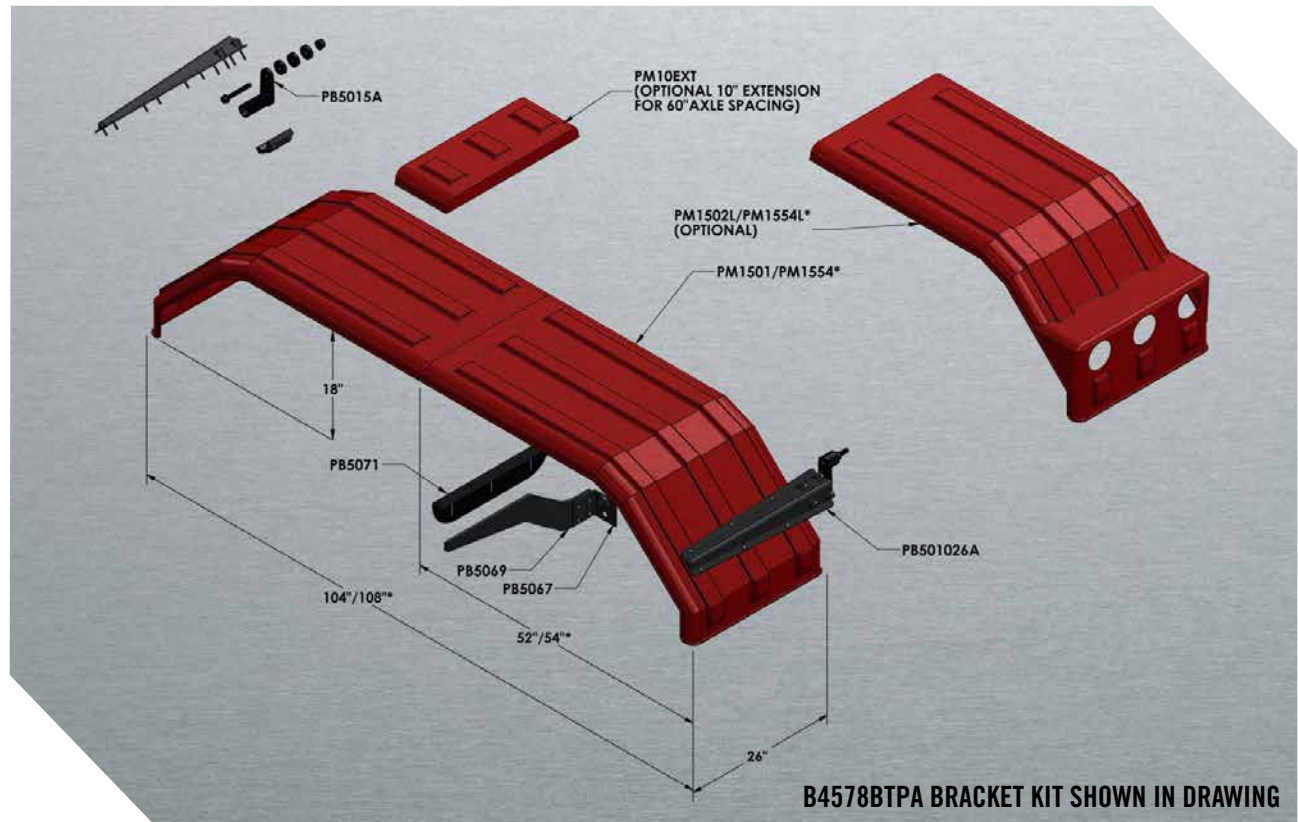
## SQUARE BACK BRUISER

- MIN1500/1554 is designed to fit a tandem axle tractor or trailer with either a 52" or 54" axle spread.
- The set consists of 4 pieces (4 - PM1501/PM1554 single fenders).
- The total weight of the MIN1500/1554 fender kit is less than 45 pounds.
- See page 63 for complete list of fenders and additional color, material, and lightbox options.



# E BACK BRUISER

"I wanted something that had the same square-backed look as my truck. This model seems to fit the bill."



ON THE TRUCK

## INSTALLATION **KITS**

- B4578**BTPA** - Black Plastic Bolt-on Kit
- B4578**BTPACF** - Carbon Fiber Plastic Bolt-on Kit
- B4578**BTPAMIRROR** - Mirror Finish Plastic Bolt-on Kit
- B4578**BTPAPL** - Liquid Platinum Plastic Bolt-on Kit
- B4578**PBA** - Paddle Bracket Bolt-on Kit
- B4578**BTSA** - Stainless Bolt-on Kit
- B4578**WOA** - Weld-on Kit

SEE **PAGE 65-70** FOR MORE INFORMATION ON AVAILABLE INSTALLATION KITS

# MIN1352/1354 FENDER SERIES

TH

ON THE TRUCK



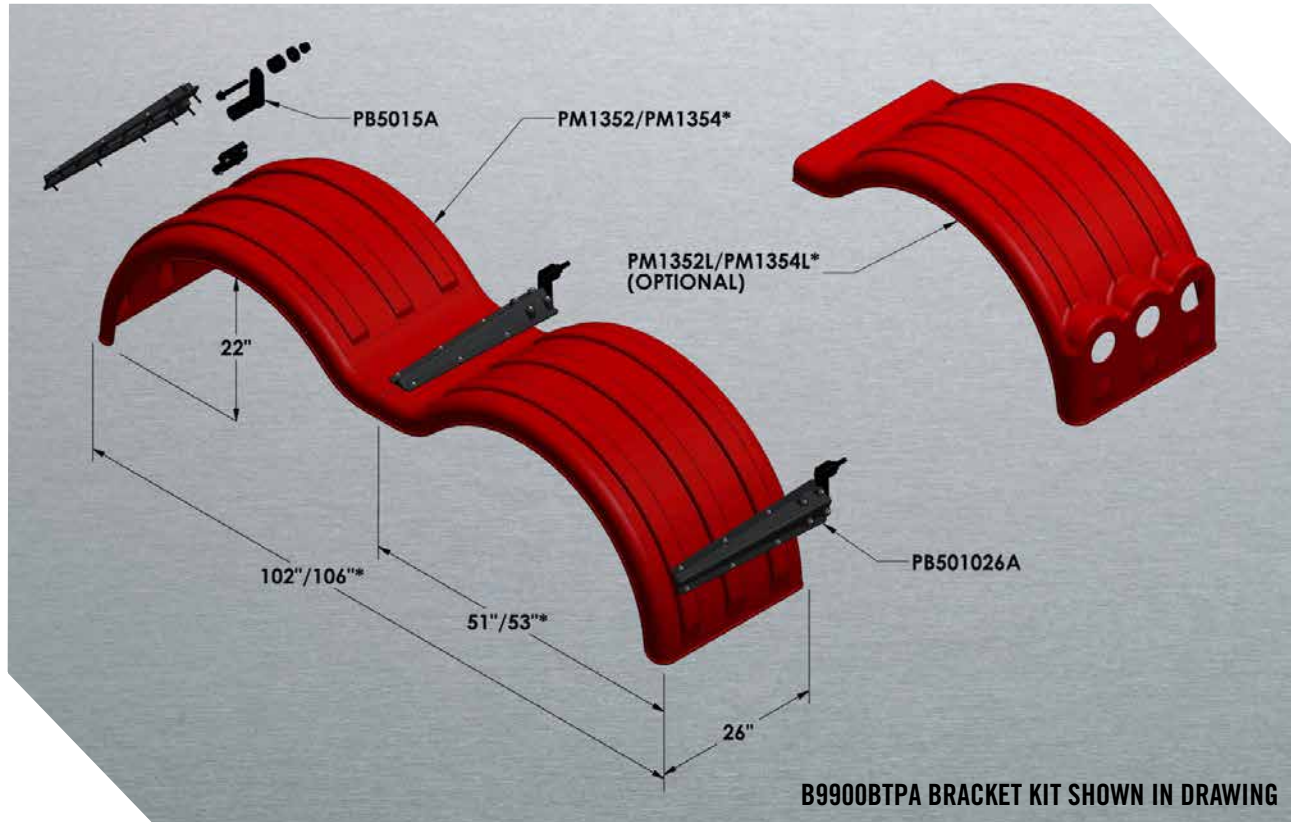
## THE DOUBLE DEUCE

- MIN1352/1354 is designed to fit a tandem axle tractor or trailer with either a 52" or 54" axle spread.
- The set consists of 4 pieces (4 - PM1352/PM1354 single fenders).
- The total weight of the MIN1352/1354 fender kit is less than 44 pounds.
- See page 63 for complete list of fenders and additional color, material, and lightbox options.



# E DOUBLE DEUCE

"Here's some pictures of my new truck. I love the way the fenders follow the profile of the wheels."



ON THE TRUCK

## INSTALLATION **KITS**

- B9900**BTPA** - Black Plastic Bolt-on Kit
- B9900**BTPACF** - Carbon Fiber Plastic Bolt-on Kit
- B9900**BTPAMIRROR** - Mirror Finish Plastic Bolt-on Kit
- B9900**BTPAPL** - Liquid Platinum Plastic Bolt-on Kit
- B9900**PBA** - Plastic Paddle Bracket Bolt-on Kit
- B9900**BTSA** - Stainless Bolt-on Kit
- B9900**WOA** - Weld-on Kit

SEE **PAGE 65-70** FOR MORE INFORMATION ON AVAILABLE INSTALLATION KITS

# MIN200 FENDER SERIES

ON THE TRUCK



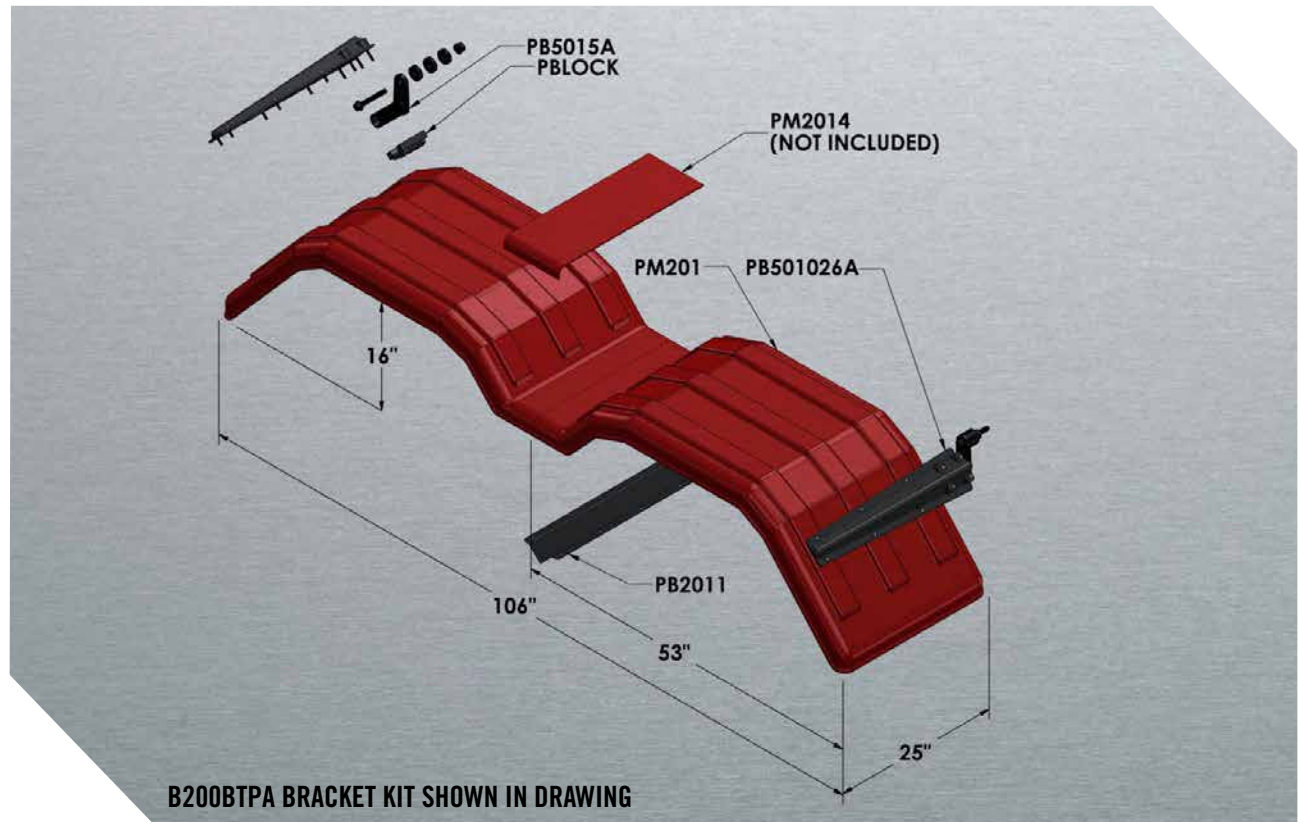
## THE ORIGINAL

- MIN200 is designed to fit a tandem axle tractor or trailer.
- The set consists of 4 pieces (4 - PM201 fender sections).
- The total weight of the MIN200 fender kit is less than 38 pounds.
- Optional trim plates (PM2014) are available.
- See page 63 for complete list of fenders and additional color, material, and lightbox options.



# THE ORIGINAL

"The best looking part of my truck is my fenders."



ON THE TRUCK

## INSTALLATION KITS

- B200BTPA - Black Plastic Bolt-on Kit
- B200BTPACF - Carbon Fiber Plastic Bolt-on Kit
- B200BTPAMIRROR - Mirror Finish Plastic Bolt-on Kit
- B200BTPAPL - Liquid Platinum Plastic Bolt-on Kit
- B200PBA - Plastic Paddle Bracket Bolt-on Kit
- B200WOA - Weld-on Kit

SEE PAGE 65-70 FOR MORE INFORMATION ON AVAILABLE INSTALLATION KITS

# MIN300 FENDER SERIES

# TH

ON THE TRUCK



## THE TRIPLE THREAT

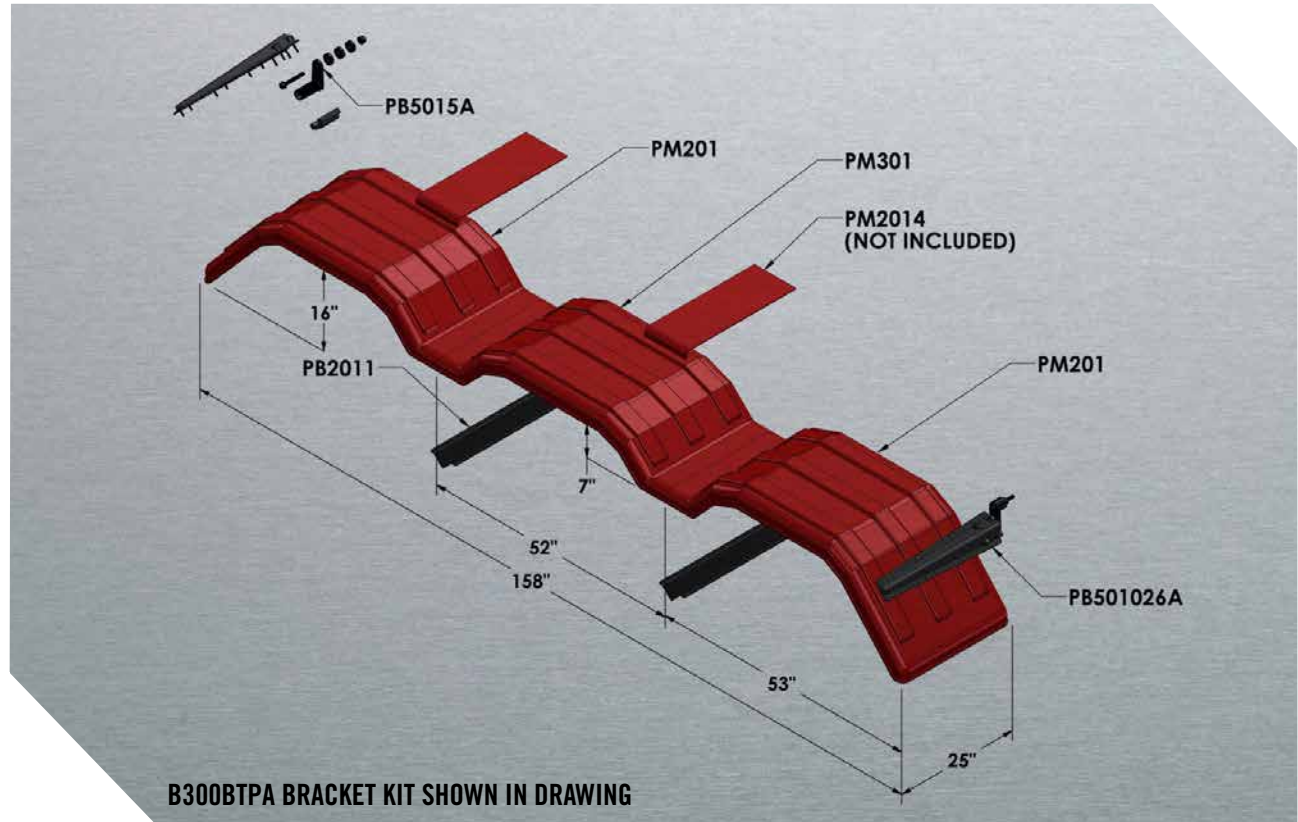
- MIN300 is designed to fit a tri-axle tractor or trailer.
- The set consists of 6 pieces (4 - PM201 front and rear sections and 2 - PM301 center sections).
- The total weight of the MIN300 fender kit is less than 55 pounds.
- Optional trim plates (PM2014) are available.
- See page 63 for complete list of fenders and additional color, material, and lightbox options.





# E TRIUPLE THREAT

"The first time a gooseneck rubbed these, I thought they were trashed. When I jumped out and looked, I couldn't even tell they'd been hit!"



ON THE TRUCK

## INSTALLATION KITS

- B300BTPA - Black Plastic Bolt-on Kit
- B300BTPACF - Carbon Fiber Plastic Bolt-on Kit
- B300BTPAMIRROR - Mirror Finish Plastic Bolt-on Kit
- B300BTPAPL - Liquid Platinum Plastic Bolt-on Kit
- B300PBA - Plastic Paddle Bracket Bolt-on Kit
- B300WOA - Weld-on Kit

SEE PAGE 65-70 FOR MORE INFORMATION ON AVAILABLE INSTALLATION KITS

# MIN318 FENDER SERIES

ON THE TRUCK



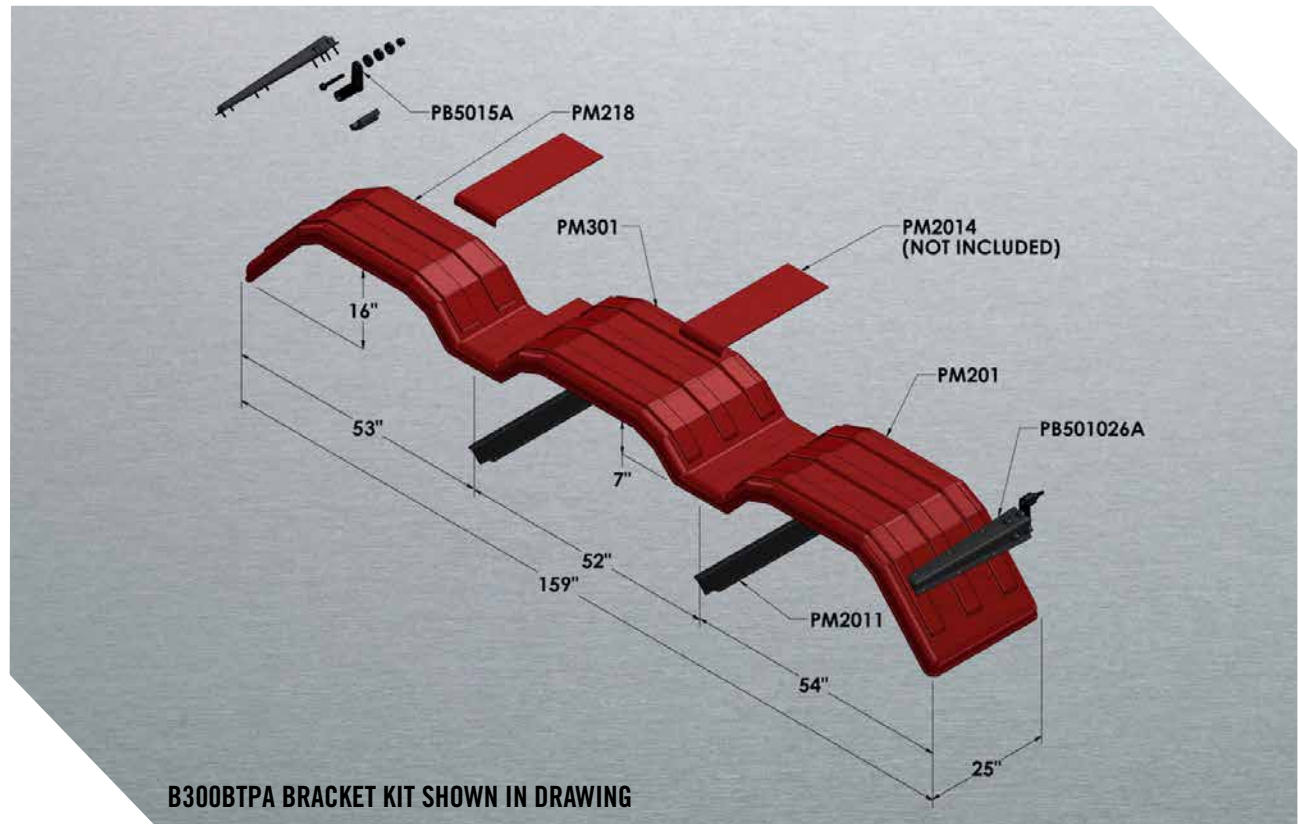
## ROLLING TRIPLES

- MIN318 is designed to fit a tri-axle tractor or trailer with a single wheel pusher axle.
- The set consists of 6 pieces (2 - PM218 front sections, 2 - PM301 center sections and 2 - PM201 rear sections).
- The total weight of the MIN318 fender kit is less than 51 pounds.
- Optional trim plates (PM2014) are available.
- See page 63 for complete list of fenders and additional color, material, and lightbox options.



# ROLLING TRIPLES

"I've heard these fenders were for garbage trucks. Funny thing is, the only garbage I've ever had on my rig were my previous metal fenders."



ON THE TRUCK

## INSTALLATION KITS

- **B300BTPA** - Black Plastic Bolt-on Kit
- **B300BTPACF** - Carbon Fiber Plastic Bolt-on Kit
- **B300BTPAMIRROR** - Mirror Finish Plastic Bolt-on Kit
- **B300BTPAPL** - Liquid Platinum Plastic Bolt-on Kit
- **B300PBA** - Plastic Paddle Bracket Bolt-on Kit
- **B300WOA** - Weld-on Kit

SEE **PAGE 65-70** FOR MORE INFORMATION ON AVAILABLE INSTALLATION KITS

# PM202/302/1021 FENDER SERIES

ON THE TRUCK



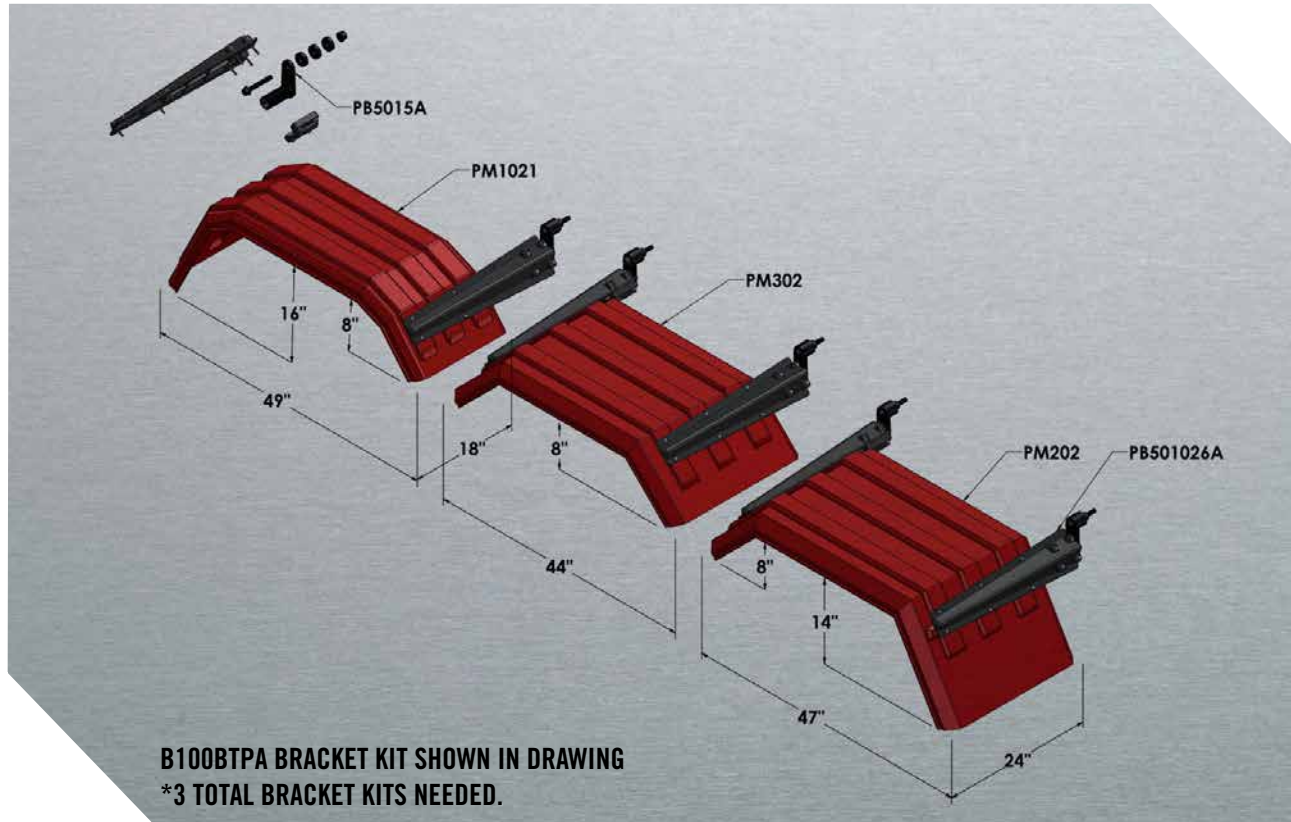
## THE TRASHER

- PM202/302/1021 are designed to fit a tandem axle tractor or trailer with a single wheel pusher axle.
- The fender set is sold per individual piece. The front single wheel section is the PM1021, the center section is the PM302 and the rear section is the PM202.
- The total weight of the PM202/302/1021 fender set is less than 44 pounds for all 6 pieces.
- See page 63 for complete list of fenders and additional color, material, and lightbox options.



# THE TRASHER

“Do yourself, and your truck, a favor and let the Minimizer make a believer out of you.”



ON THE TRUCK

## INSTALLATION KITS

- B100BTPA - Black Plastic Bolt-on Kit
- B100BTPACF - Carbon Fiber Plastic Bolt-on Kit
- B100BTPAMIRROR - Mirror Finish Plastic Bolt-on Kit
- B100BTPAPL - Liquid Platinum Plastic Bolt-on Kit
- B100PBA - Plastic Paddle Bracket Bolt-on Kit
- B100BTSA - Stainless Bolt-on Kit
- B100WOA - Weld-on Kit

SEE PAGE 65-70 FOR MORE INFORMATION ON AVAILABLE INSTALLATION KITS

# MINTA1554 FENDER SERIES

ON THE TRUCK



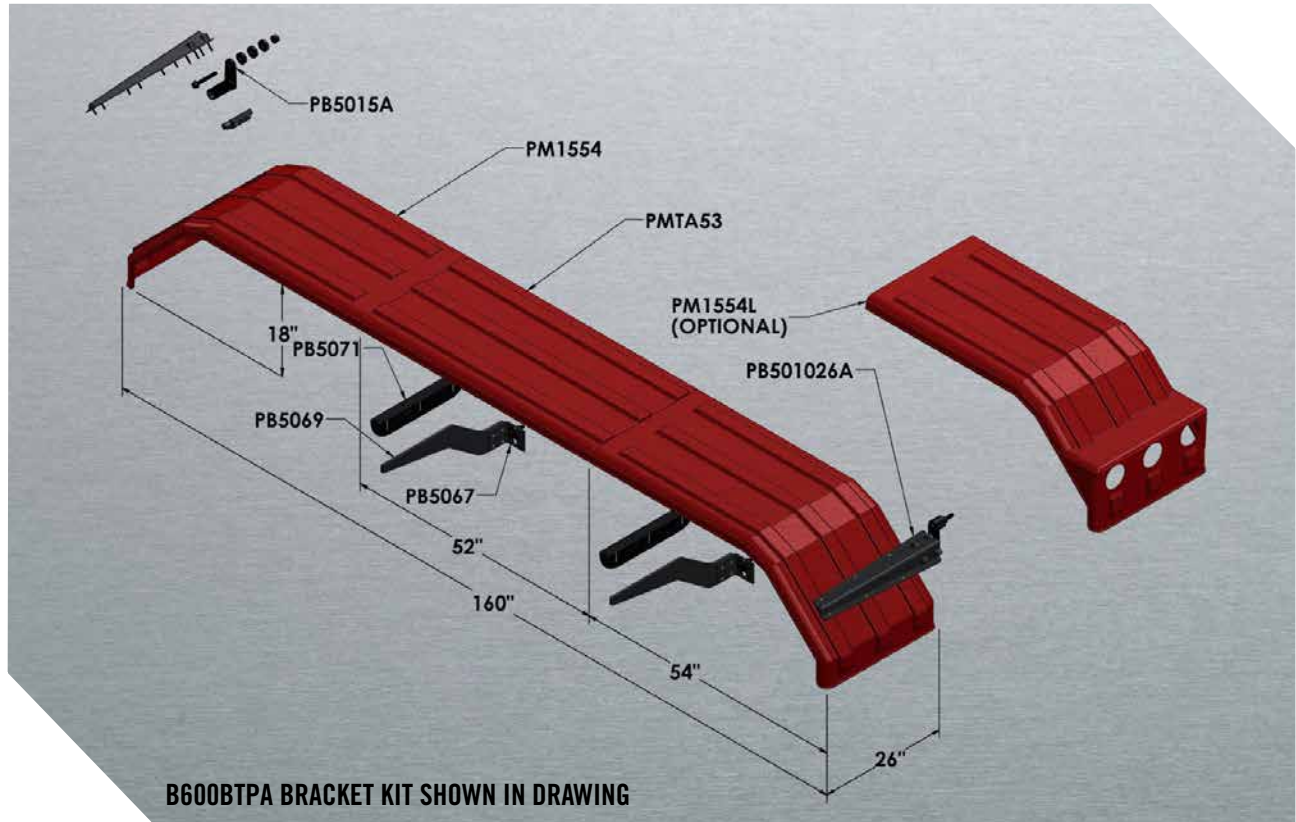
## THE LONG SHOT

- MINTA1554 is designed to fit a tri-axle tractor or trailer.
- The set consists of 6 pieces (4 - PM1554 front and rear sections, 2 - PMTA53 center sections).
- The total weight of the MINTA1554 fender kit is less than 80 pounds.
- See page 63 for complete list of fenders and additional color, material, and lightbox options.



# THE LONG SHOT

“Concrete doesn’t even stick to my fenders, I just hose them off and they look brand new again.”



ON THE TRUCK

## INSTALLATION KITS

- B600BTPA - Black Plastic Bolt-on Kit
- B600BTPACF - Carbon Fiber Plastic Bolt-on Kit
- B600BTPAMIRROR - Mirror Finish Plastic Bolt-on Kit
- B600BTPAPL - Liquid Platinum Plastic Bolt-on Kit
- B600PBA - Plastic Paddle Bracket Bolt-on Kit
- B600BTSA - Stainless Bolt-on Kit
- B600WOA - Weld-on Kit

SEE PAGE 65-70 FOR MORE INFORMATION ON AVAILABLE INSTALLATION KITS

# MINTA910 FENDER SERIES

# LONG

ON THE TRUCK



## LONG & STREAMLINED

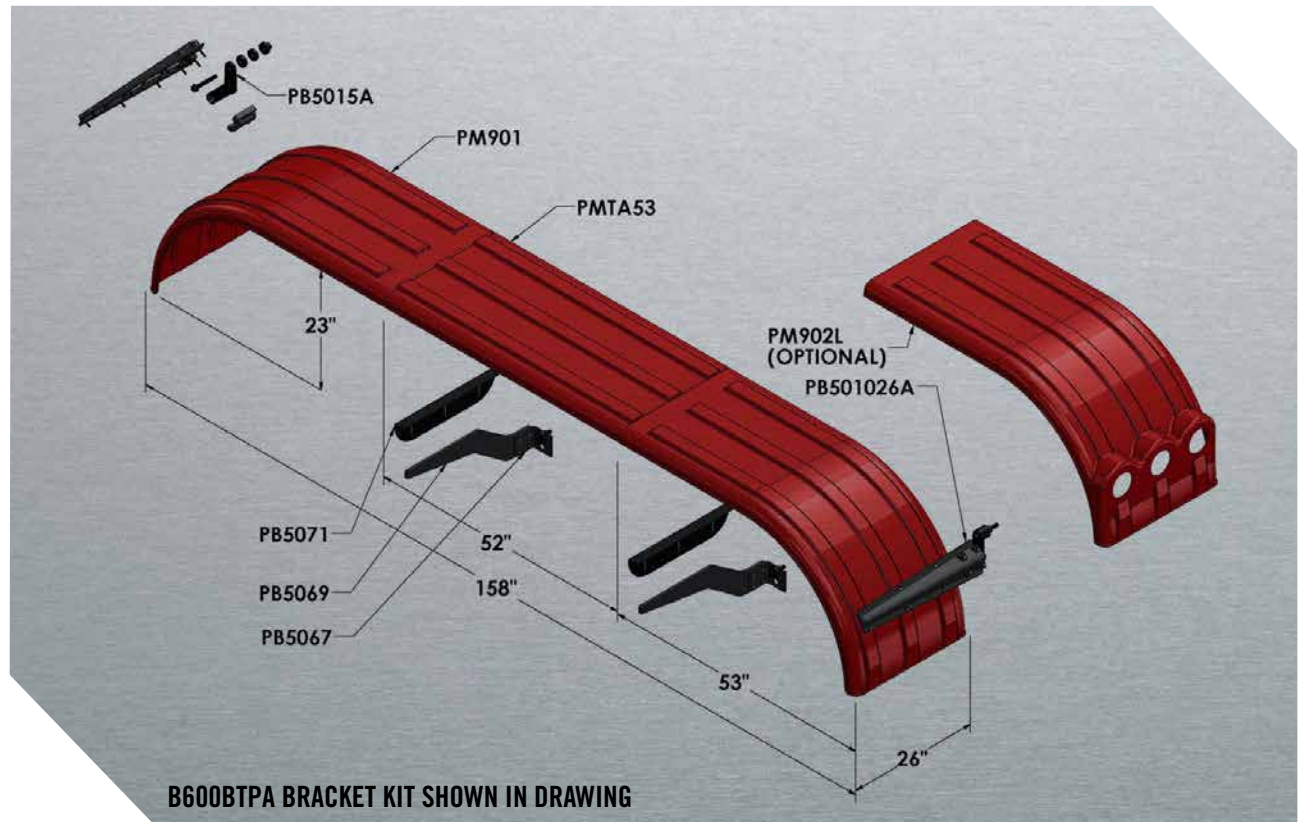
- MINTA910 is designed to fit a tri-axle tractor or trailer.
- The set consists of 6 pieces (4 - PM901 front and rear sections and 2 PMTA53 center sections).
- The total weight of the MINTA910 fender kit is less than 80 pounds.
- See page 63 for complete list of fenders and additional color, material, and lightbox options.





# G & STREAMLINED

"I can't believe fenders that look this good can take what my work day dishes out."



ON THE TRUCK

## INSTALLATION KITS

- B600BTPA - Black Plastic Bolt-on Kit
- B600BTPACF - Carbon Fiber Plastic Bolt-on Kit
- B600BTPAMIRROR - Mirror Finish Plastic Bolt-on Kit
- B600BTPAPL - Liquid Platinum Plastic Bolt-on Kit
- B600PBA - Plastic Paddle Bracket Bolt-on Kit
- B600BTSA - Stainless Bolt-on Kit
- B600WOA - Weld-on Kit

SEE PAGE 65-70 FOR MORE INFORMATION ON AVAILABLE INSTALLATION KITS

# MINTF900/1554 FENDER SERIES

ON THE TRUCK



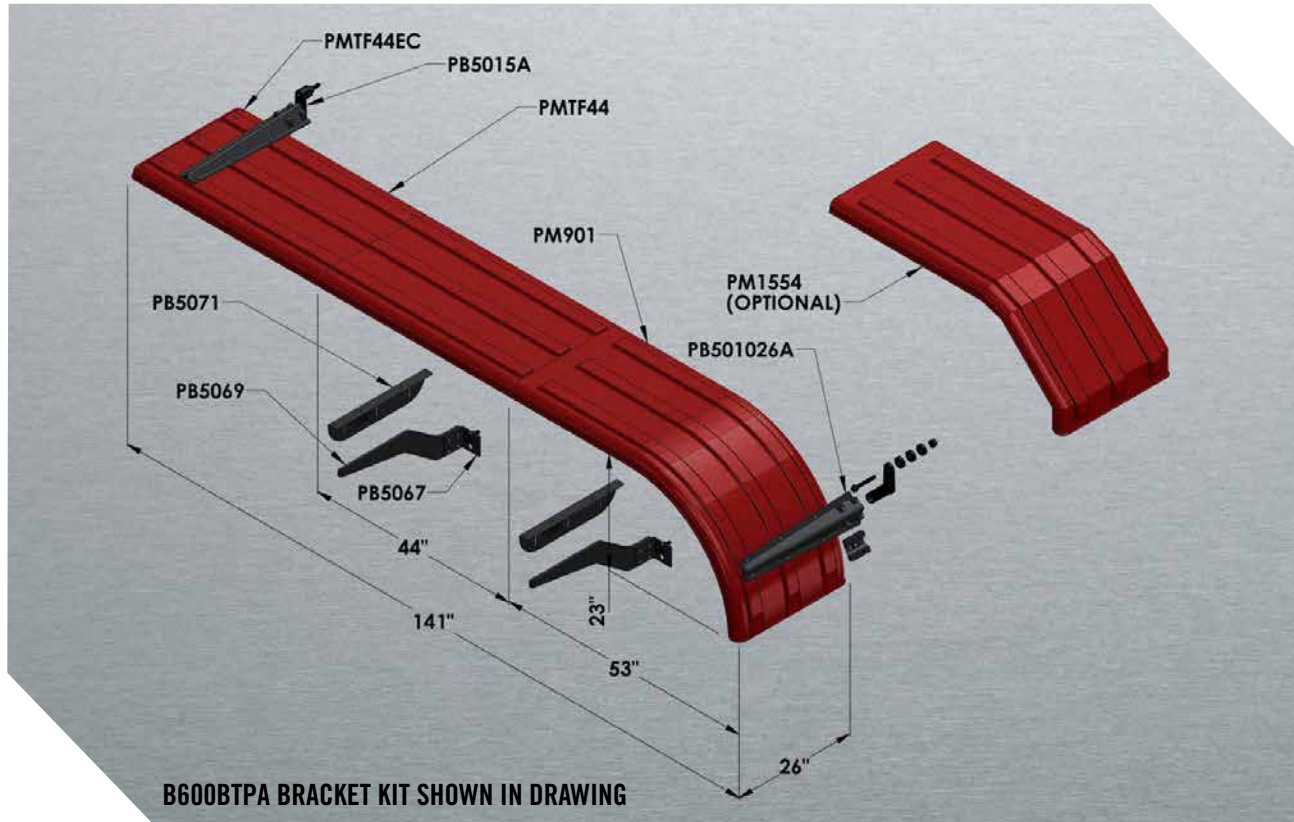
## TANKER FENDERS

- MINTF900/1554 is designed to fit the front of a tanker trailer.
- The set consists of 8 pieces (2 - PMTF44EC End Caps, 4 - PMTF44 Center Sections, and 2 - PM901 Rear Sections or 2 - PM1554 Rear Sections)
- The total weight of the MINTF900 fender kit is less than 49 pounds.
- See page 63 for complete list of fenders and additional color, material, and lightbox options.



# TANKER FENDERS

"Minimizer poly fenders have a lifetime warranty, which is more than I can say for my last 3 sets of aluminum."



ON THE TRUCK

## INSTALLATION KITS

- B600BTPA - Black Plastic Bolt-on Kit
- B600BTPACF - Carbon Fiber Plastic Bolt-on Kit
- B600BTPAMIRROR - Mirror Finish Plastic Bolt-on Kit
- B600BTPAPL - Liquid Platinum Plastic Bolt-on Kit
- B600PBA - Plastic Paddle Bracket Bolt-on Kit
- B600BTSA - Stainless Bolt-on Kit
- B600WOA - Weld-on Kit

SEE PAGE 65-70 FOR MORE INFORMATION ON AVAILABLE INSTALLATION KITS

# MIN161200 FENDER SERIES

ON THE TRUCK



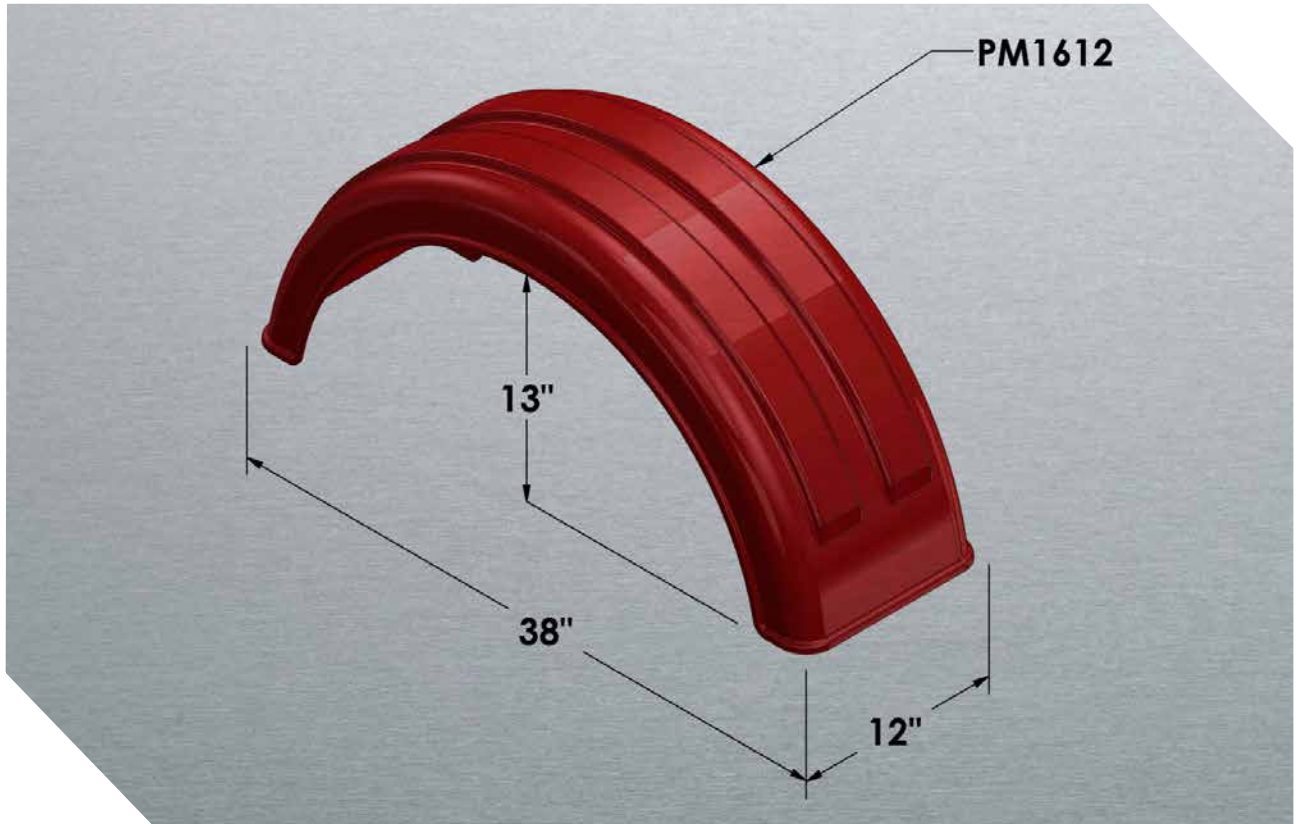
## THE LONER

- MIN161200 is designed to fit a single tractor or trailer 16.5" tire up to a low - profile 22.5" tire (255 70R 22.5).
- The set consists of 2 pieces (2 - PM1612 fender sections).
- Works great for steerable or lift axles.
- The total weight of the MIN161200 fender kit is less than 12 pounds.
- See page 63 for complete list of fenders and additional color, material, and lightbox options.



# THE LONER

"In the past the vibration tore up my aluminum fenders. Now, my fenders are outlasting my truck."



ON THE TRUCK

## INSTALLATION **KITS**



**BSHORTLIFTAX - Lift Axle Bracket Kit**



**Steerable Lift Axle Kit**  
\*Part #'s are model specific call for more details.

# MIN221800 FENDER SERIES

ON THE TRUCK



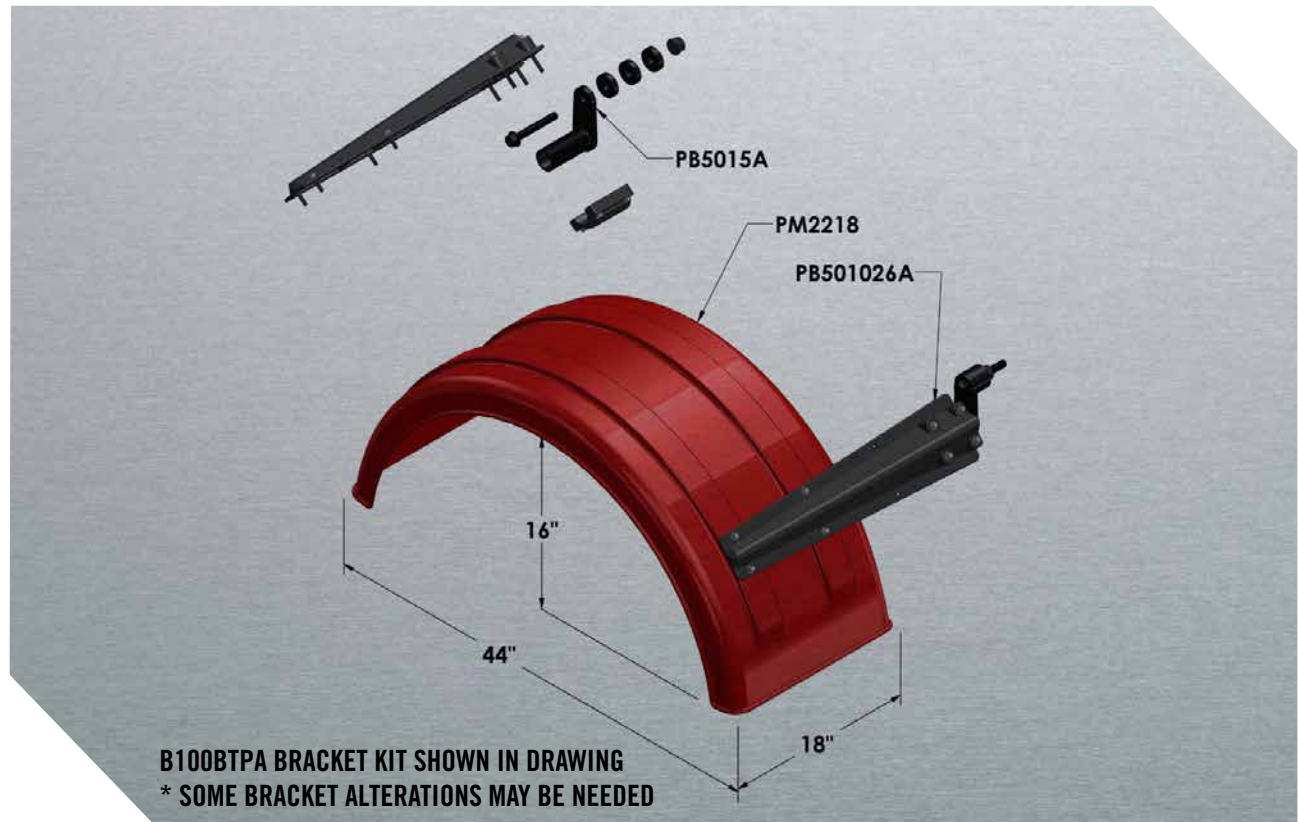
## 18 & SINGLE

- MIN221800 is designed to fit a super single tractor or trailer 22.5" or 24.5" wheel (445).
- The set consists of 2 pieces. (2 - PM2218 fender sections)
- The total weight of the MIN221800 is less than 16 pounds.
- MIN221800 works great on super singles, lift axles and steer axles.
- See page 63 for complete list of fenders and additional color, material, and lightbox options.



# 18" & SINGLE

"The sales people are very knowledgeable and helped me decide on the fenders that best suited my needs."



ON THE TRUCK

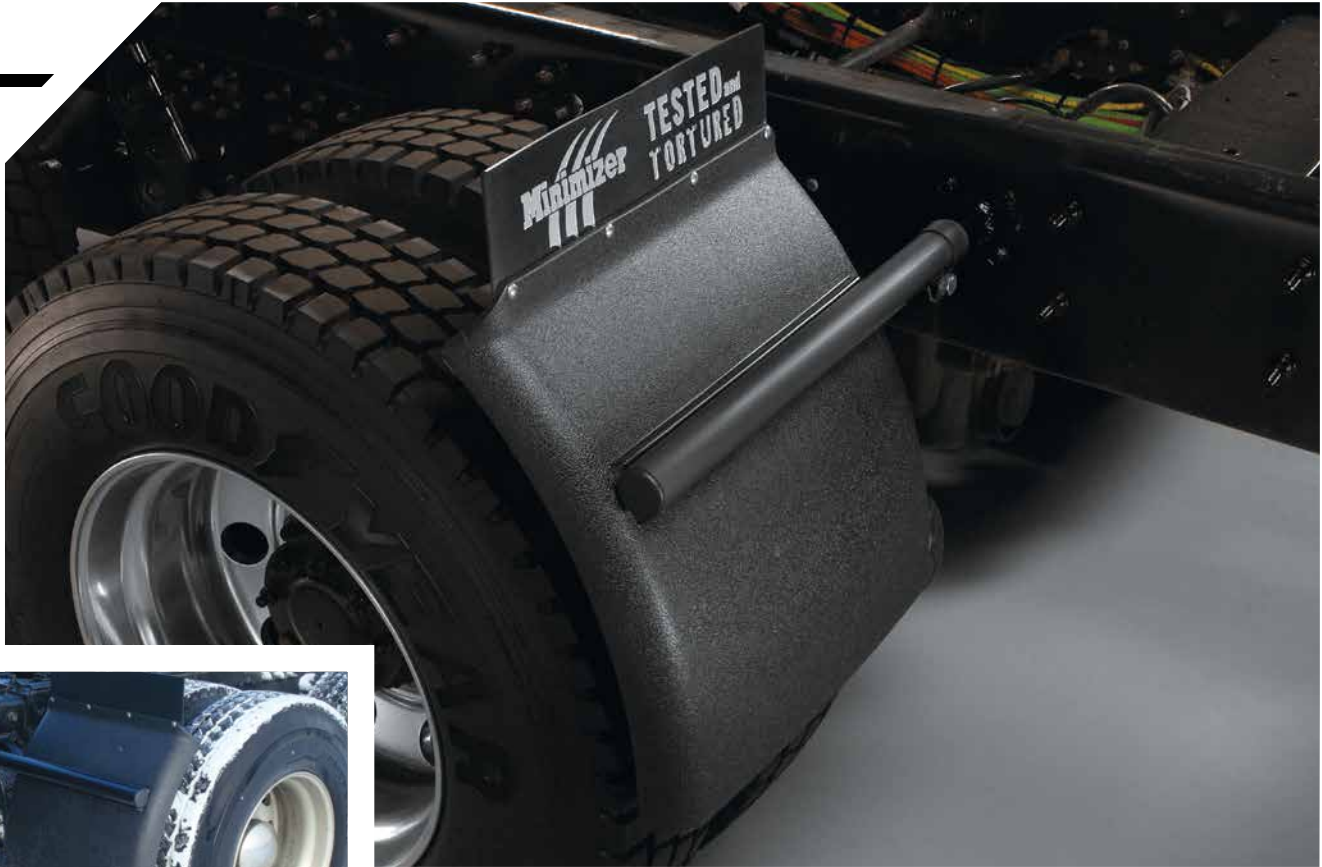
## INSTALLATION KITS

- B100BTPA - Black Plastic Bolt-on Kit
- B100BTPACF - Carbon Fiber Plastic Bolt-on Kit
- B100BTPAMIRROR - Mirror Finish Plastic Bolt-on Kit
- B100BTPAPL - Liquid Platinum Plastic Bolt-on Kit
- B100PBA - Plastic Paddle Bracket Bolt-on Kit
- B100BTSA - Stainless Bolt-on Kit
- B100WOA - Weld-on Kit

SEE PAGE 65-70 FOR MORE INFORMATION ON AVAILABLE INSTALLATION KITS

# MIN1400 FENDER SERIES

ON THE TRUCK



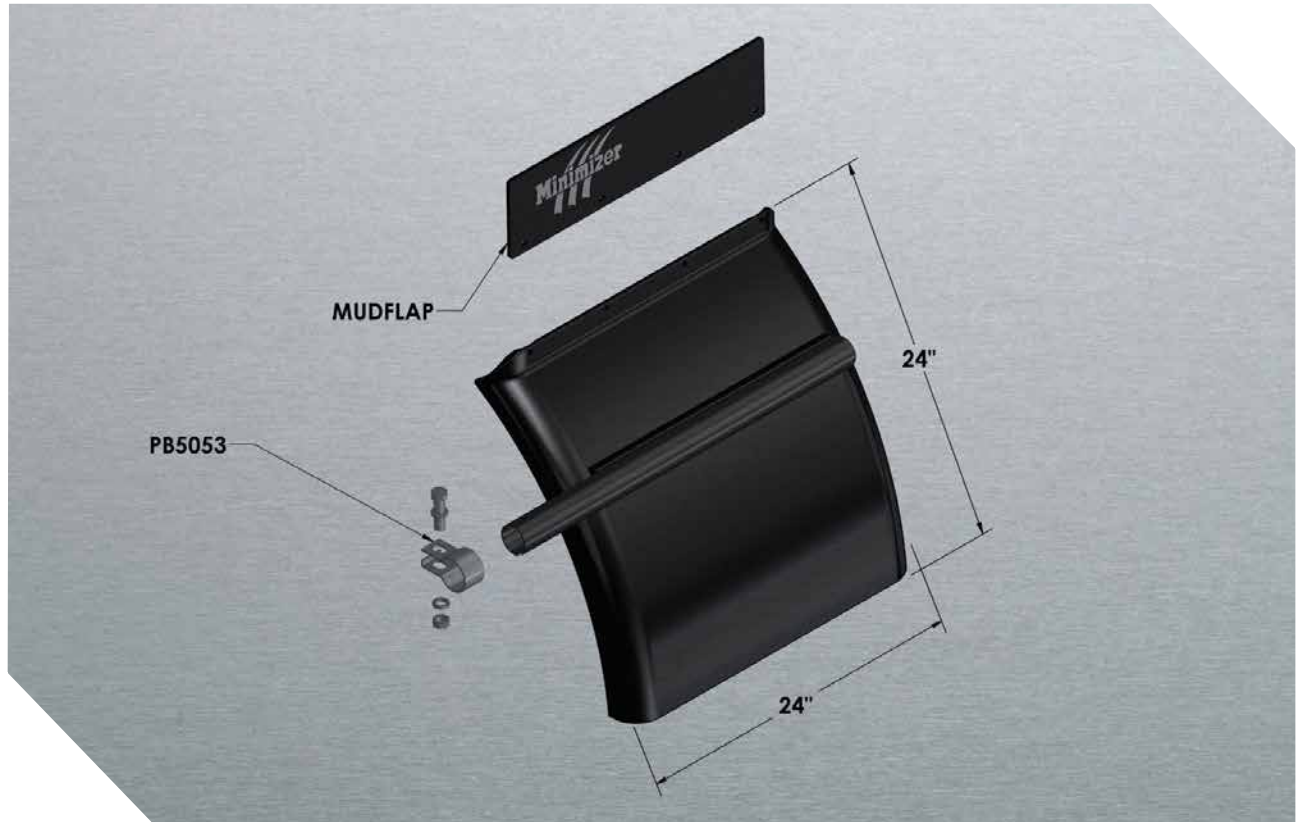
## THE QUARTER

- MIN1400 is designed to fit standard dual tractor or trailer wheels.
- The total weight of the MIN1400 fender kit is less than 35 pounds.
- This a complete kit. Pair of fenders and all mounting hardware included.
- Kit Options
  - MIN1400B does not include either a post nor flange mount and is intended to replace an existing quarter fender.
  - MIN1400BF includes two flange mounts.
  - MIN1400BP includes two post mounts.



# THE QUARTER

"Minimizer poly fenders have a lifetime warranty, which is more than I can say for my last 3 sets of aluminum."



ON THE TRUCK

## INSTALLATION KITS



Post Mount



Flange Mount

# ARMADILLO FENDER SERIES

ON THE TRUCK



## THE ARMADILLO

- Ideal for keeping mud off operator's windows and mirrors. Improve your organization's safety record by keeping operator's area protected.
- Forever Shape™ pops back after impact. It will not stress crack. Fits on applications where metal fenders are simply not practical.
- Superior control of water spray and rocks keep equipment and loads cleaner.
- Please reference Part# PM1100B



# THE ARMADILLO

"I love the product so much I bought the company!"



ON THE TRUCK

## INSTALLATION **KITS**

BRACKET KITS NOT AVAILABLE FOR PM1100B.

# G1000 FENDER SERIES

ON THE TRUCK



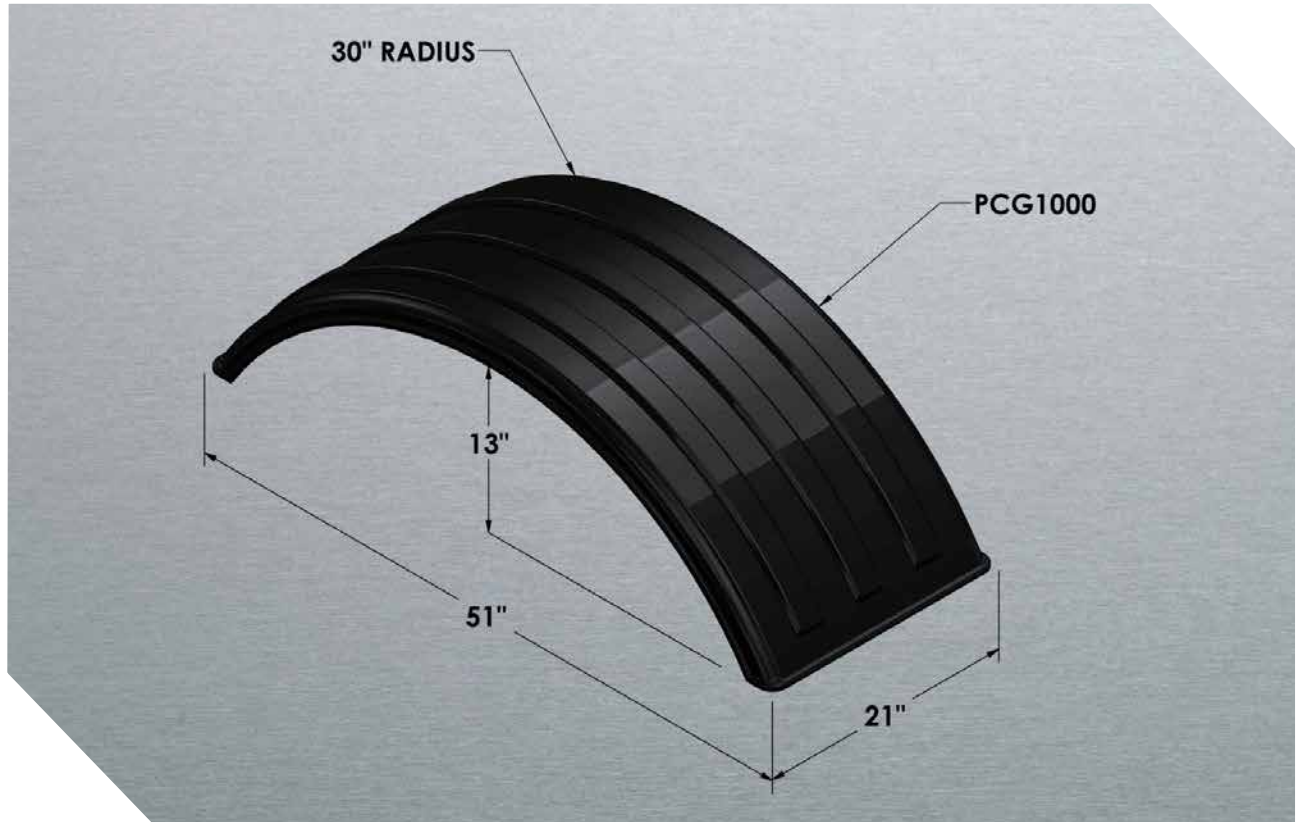
## THE G1000

- Ideal for keeping mud off operator's windows and mirrors. Improve your organization's safety record by keeping operator's area protected.
- Forever shape™ pops back after impact. It will not stress crack.
- Superior control of water spray and rocks keep equipment and loads cleaner.
- Please reference Part# PCG1000B.



# G1000

"The lifetime warranty is what sold me at first, but I have never had to use it!"



ON THE TRUCK

## INSTALLATION **KITS**

BRACKET KITS NOT AVAILABLE FOR PCG1000B.

# AUXILIARY LIFT FENDER SERIES

ON THE TRUCK



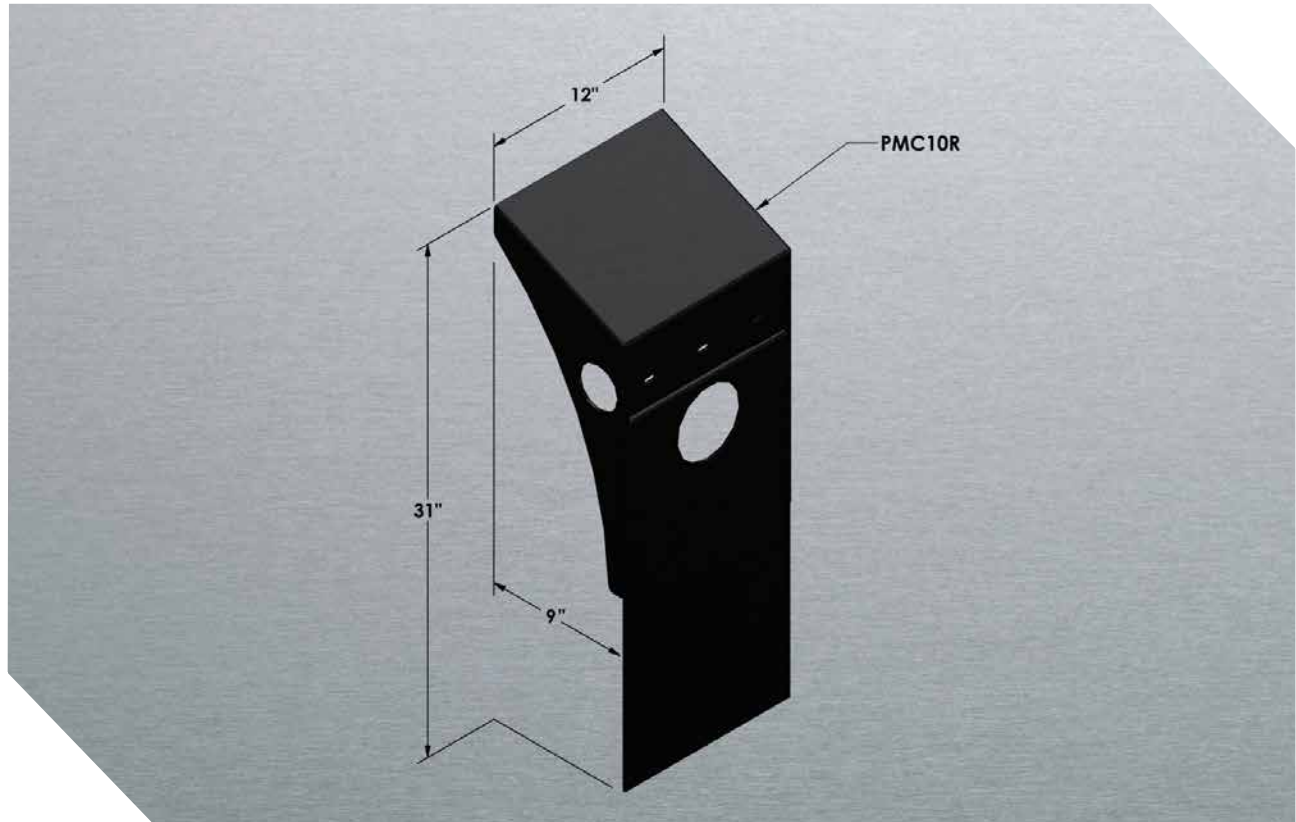
## THE AUXILIARY LIFT

- Improve your organization's safety record by keeping operator's area protected.
- Forever shape™ pops back after impact. It will not stress crack. Fits on applications where metal fenders are simply not practical.
- Superior control of water spray and rocks keep equipment and loads cleaner.
- Please reference Part# PMC10R - Curbside and/or PMC10L - Road Side



# AUXILIARY LIFT

"I couldn't believe all the hype about these fenders until I tried them out for myself!"



**ON THE TRUCK**

## INSTALLATION **KITS**

BRACKET KITS NOT AVAILABLE FOR PMC10R OR PMC10L.

FENDER OPTIONS:

# MATERIAL & FINISH

ON THE TRUCK

Fender Series	Options	Black	Galvanized	Red	White	Green	Paintable	Diamond Plate Black	Diamond Plate Silver	Liquid Platinum	Carbon Fiber	Silver Mirror Finish	Smoky Black Mirror Finish	Optional Light Box
MIN1600		X	X	X	X	X	X	X	X	X	X	N/A	N/A	N/A
MIN1900		X	X	X	X	X	X	X	X	X	X	N/A	N/A	X
MIN2260		X	X	X	X	X	X	X	X	X	X	X	X	X
MIN2480		X	X	X	X	N/A	N/A	X	X	N/A	N/A	N/A	N/A	X
MIN150		X	X	X	X	X	X	X	X	X	X	N/A	N/A	N/A
MIN4050		X	X	X	X	X	X	X	X	X	X	X	X	N/A
MIN950		X	X	X	X	N/A	X	X	X	X	X	X	X	N/A
MIN1550		X	X	X	X	N/A	X	X	X	X	X	N/A	N/A	N/A
MIN4000		X	X	X	X	X	X	X	X	X	X	X	X	N/A
MIN900		X	X	X	X	N/A	X	X	X	X	X	X	X	X
MIN1500		X	X	X	X	N/A	X	X	X	X	X	N/A	N/A	X
MIN1554		X	X	X	X	N/A	X	X	X	X	X	N/A	N/A	X
MIN135200		X	X	X	X	N/A	X	X	X	X	X	X	X	X
MIN135400		X	X	X	X	N/A	X	X	X	X	X	X	X	X
MIN200		X	X	X	X	X	X	X	X	X	X	N/A	N/A	N/A
MIN300		X	X	X	X	X	X	X	X	X	X	N/A	N/A	N/A
MIN318		X	X	X	X	X	X	X	X	X	X	N/A	N/A	N/A
MIN202-302-1021		X	X	X	X	X	N/A	X	X	N/A	N/A	N/A	N/A	N/A
MINTA1554		X	X	X	X	N/A	X	X	X	X	X	N/A	N/A	X
MINTA910		X	X	X	X	N/A	X	X	X	X	X	N/A	N/A	X
MINTF900		X	X	X	X	N/A	X	X	X	X	X	N/A	N/A	X
MINTF1554		X	X	X	X	N/A	X	X	X	X	X	N/A	N/A	X
MIN161200		X	X	X	X	X	X	X	X	X	X	N/A	N/A	N/A
MIN221800		X	X	X	X	X	X	X	X	X	X	N/A	N/A	N/A
MIN1400		X	N/A	N/A	N/A	N/A	N/A	N/A	N/A	N/A	N/A	N/A	N/A	N/A



# FENDER OPTIONS

"The sales people are very knowledgeable and helped me decide on the fenders that best suited my needs."



ON THE TRUCK

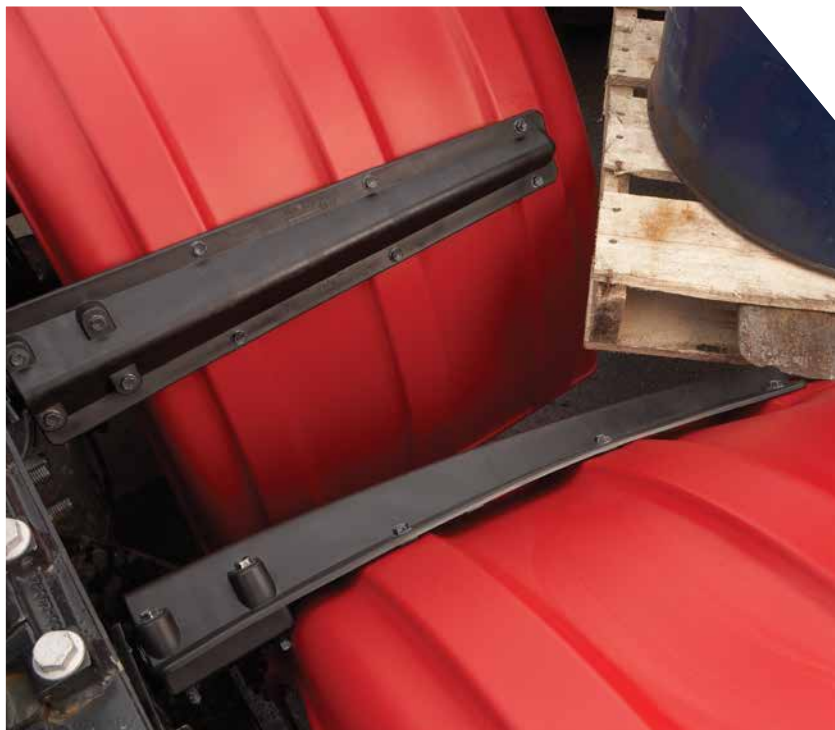
FENDER BRACKET SYSTEMS:

# INSTALLATION **KITS**

# FENDER B

ON THE TRUCK

MINIMIZER™ OFFERS THE BEST FENDER BRACKET SYSTEMS IN THE INDUSTRY.  
**HERE'S WHY: ULTIMATE DURABILITY**



- Won't stay bent • Made from 100% composite material
- Won't stress crack • Never needs paint • Softens road vibration

MINIMIZER™ BRACKETS AND FENDERS WORK TOGETHER

**TO ABSORB IMPACT.**  
**IF THEY BEND, THEY SPRING BACK!**

# RACKET SYSTEMS

The competition gives you metal brackets with composite fenders.  
**WHY?** We do it right, you get a nearly indestructible bracket with your Minimizer™ fender!

---



You've got to have the right tools for the trade, right? You know that already, you bought Minimizer™ fenders! What would nearly indestructible fenders be without the industry's toughest brackets to match?

You need brackets that won't bend out of shape with the slightest tap or break and do nothing but cost you hard earned money. At Minimizer™ our fenders AND brackets are Guaranteed for Life! That's good math for you! How can Minimizer™ make such an offer? It's simple, we have total confidence in the design and performance of our fenders and bracket kits.

Minimizer™ brackets are designed for strength - they won't stress crack, never need painting and they soften road vibration. Minimizer™ brackets have remarkable staying power - when bumped or bent they "give" slightly and spring back into shape without dents or paint chips. These brackets will last as long as you own your Minimizer™ fenders - we guarantee it!

Use the best fender bracket system available. Offered exclusively from Minimizer™ distributors worldwide.

---

**MINIMIZER™ POLY BRACKET SYSTEMS ARE**  
**GUARANTEED FOR LIFE!**  
OFFERED EXCLUSIVELY FROM MINIMIZER™ DISTRIBUTORS WORLDWIDE.

ON THE TRUCK

FENDER BRACKET SYSTEMS:

# INSTALLATION **KITS**

# FENDER B

**ON THE TRUCK**

INTRODUCING THE NEW PADDLE BRACKET ARM FROM MINIMIZER™!  
SLEEK NEW **LOOK**: SAME **DURABILITY**



---

MINIMIZER™ BRACKETS AND FENDERS WORK TOGETHER  
**TO ABSORB IMPACT.**  
IF THEY BEND, THEY SPRING BACK!

---

# RACKET SYSTEMS

- EASIER INSTALLATION • REDUCES SUSPENSION BULK • SMOOTHER LOOK
- WON'T STAY BENT • MADE FROM 100% COMPOSITE MATERIAL
- WON'T STRESS CRACK • NEVER NEEDS PAINT • SOFTENS ROAD VIBRATION



ON THE TRUCK

The **NEW** Minimizer™ Paddle Bracket kits are designed for direct mounting to the frame eliminating the need to use spacers in most cases. The more compact profile allows the bracket arm to fit lower on the frame rail if needed, allowing more clearance between the frame and the fifth wheel plate. All of the fastening hardware is hidden beneath the fender creating a more streamlined and aesthetically pleasing look. Don't let its good looks fool you, it has been Tested and Tortured to ensure that it will meet the demands of a tough industry and the daily abuse of the road.

# INSTALLATION **KITS**

# FENDER B

ON THE TRUCK

## **B100** SERIES:



B100BTPA - Plastic Bolt-on Kit\*



B100PBA - Paddle Bracket Kit



B100BTTSA - Stainless Bolt-on Kit

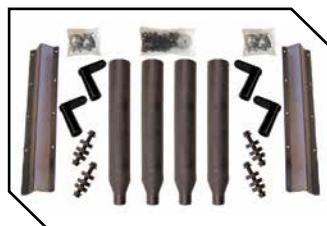


B100W0A - Weld-on Kit

## **B200** SERIES:



B200BTPA - Plastic Bolt-on Kit\*



B200PBA - Paddle Bracket Kit



B200W0A - Weld-on Kit

## **B300** SERIES:



B300BTPA - Plastic Bolt-on Kit\*



B300PBA - Paddle Bracket Kit



B300W0A - Weld-on Kit

## **B4578** SERIES:



B4578BTPA - Plastic Bolt-on Kit\*



B4578PBA - Paddle Bracket Kit



B4578BTTSA - Stainless Bolt-on Kit



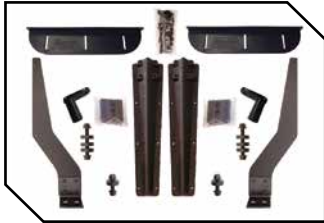
B4578W0A - Weld-on Kit

# RACKET SYSTEMS

"Minimizer poly fenders have a lifetime warranty, which is more than I can say for my last 3 sets of aluminum."

ON THE TRUCK

## B4850 SERIES:



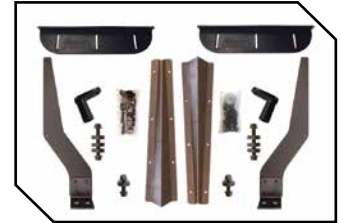
B4850BTPA - Plastic Bolt-on Kit\*



B4850PBA - Paddle Bracket Kit

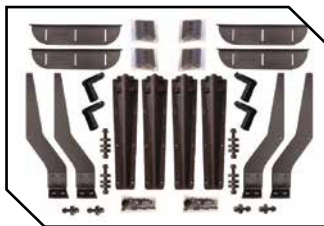


B4850BTSA - Stainless Bolt-on Kit

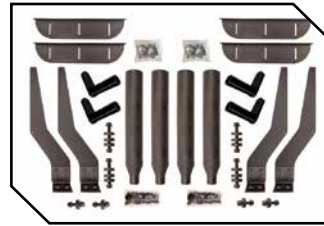


B4850WOA - Weld-on Kit

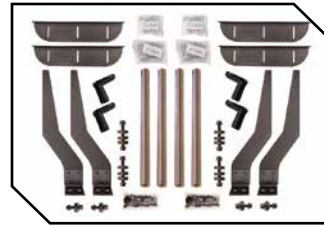
## B600 SERIES:



B600BTPA - Plastic Bolt-on Kit\*



B600PBA - Paddle Bracket Kit



B600BTSA - Stainless Bolt-on Kit



B600WOA - Weld-on Kit

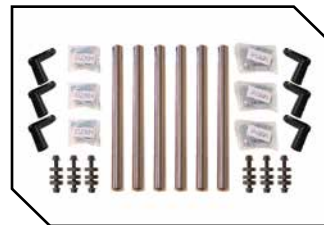
## B9900 SERIES:



B9900BTPA - Plastic Bolt-on Kit\*



B9900PBA - Paddle Bracket Kit



B9900BTSA - Stainless Bolt-on Kit



B9900WOA - Weld-on Kit

\*Plastic Bolt-on Kits are also available with Silver Mirror Finish, Carbon Fiber, and Liquid Platinum Bracket Arms.

All kits come with the applicable mounting hardware for proper installation:

- Bracket Arms
- Plastic Center Bracket Assembly (Plastic Arm mounted to Steel Angle)
- Plastic Angle/Height Support
- Mounting Flanges, Mounting Bolts, and Spacers
- All Bolts, Washers, and Nuts

# LIFT AXLES **BRACKETS**

# FENDER B

**ON THE TRUCK**



- Designed specifically for 5" round lift axles.
- Easy bolt-on design for a quick installation.
- Available for single wheel applications.
- Fenders are also available.
- Fenders are molded for a specific tire size.
- Please reference Part# BSHORTLIFTAX
- Bracket Kit clamps on to a 5" round axle allowing the fender to raise and lower with the axle.



# STEERABLE AXLES **BRACKETS**

**ON THE TRUCK**



- Designed specifically for steerable axles.
- Easy bolt-on design for a quick installation.
- Over 20 different kits are available depending on the style and brand of your axle.
- Fenders are also available.
- Call for part numbers and availability.
- Steerable kits are made to bolt on using existing holes on the brake assembly allowing the fender to raise, lower and steer with the wheel.

# TOOL BOXES

ON THE TRUCK



**MINIMIZER™ TOOL BOXES ARE VIRTUALLY INDESTRUCTIBLE! PLUS, THEY DON'T LEAK, SWEAT OR RUST AND THEY MAKE A GREAT TOOL SAVER.**

Truck & Trailer tool boxes - like our fenders – are tough enough for the most demanding work sites and weather. Made of solid molded plastic material our tool box will never rust, crack or need paint. Don't let the scale fool you – these boxes are no lightweights. They're tougher than metal boxes weighing 10 times more: and the ¾" gutter and Seal Tight™ weather stripping means poly-tool boxes are nearly weather-proof.

Our tool boxes mount easily to most trucks in minutes. Heavy-duty hardware keeps the plastic truck tool box as secure as a safe.



The "Vector T Latch" is number one in durability. It comes with a (standard) built in cylinder lock and two keys.



"Super Springs" provide for a self-lifting door on the chest style boxes.



With a ¾" gutter and "Seal Tight" weather stripping – weather-tight.



The heavy-duty universal mounting brackets keep your tool box secure.

# TOOL BOXES

“My last metal tool box weighed about 200 lbs and ended up rusting shut!”



## Poly Chest Box:

Two standard sizes:

T36CHMIN - 20" x 19" x 36" 30 lbs.

T24CHMIN - 20" x 19" x 24" 27 lbs.



## Poly Underbody Box

Three standard sizes:

T36UBMIN - 20" x 19" x 36" 30 lbs.

T24UBMIN - 20" x 19" x 24" 27 lbs.

T18UBMIN - 18" x 18" x 24" 23 lbs.

Bracket Kits:

PTBKTMIN - (250lbs. max)

ON THE TRUCK

## SIX STANDARD COLORS



Red, Yellow, White, Silver, Black and Granite. Custom colors available on fleet orders.

# SLICK **PLATE**

**ON THE TRUCK**

# LOSE THE GREASE!

MINIMIZER SLICK PLATE

• **TESTED AND TORTURED™** •

DAILY BY TRUCKERS FOR TRUCKERS



# SLICK PLATE

"I got a couple teenage boys at home that are pretty happy about not having to clean off my fifth wheel plate anymore!"

## MINIMIZER INTRODUCES THE SLICK PLATE!

- The non-stick polymer surface eliminates the need to grease the 5th wheel plate.
- Minimizer™ Slick Plate protects all critical areas from wear and tear from use or the elements, without compromising the surface of the 5th wheel plate.
- Kits come complete with pre-drilled polyethylene plate, ram bars and all necessary mounting hardware.
- Minimizer Slick Plate carries a 5 year warranty.
- Many makes and models available including: Holland, Fontaine, Jost, ASF Simplex, Reese, and Robin Industries.



ON THE TRUCK

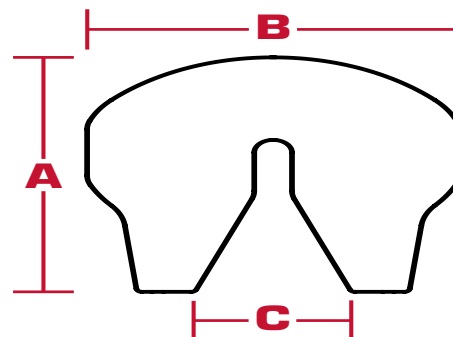
## NOT SURE WHICH STYLE WILL FIT?

Use the height, width, and throat dimensions to help!

**A: Height**

**B: Width**

**C: Throat**



**CALL 1-800-248-3855 OR VISIT [WWW.MINIMIZER.COM](http://WWW.MINIMIZER.COM) TO LEARN MORE ABOUT CURRENT AVAILABLE SLICK PLATE MODELS AND FUTURE RELEASES!**

# CUSTOM MUD **FLAPS**

CU

ON THE TRUCK

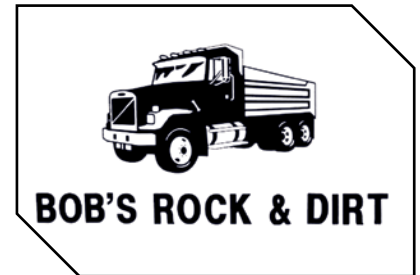


## CUSTOM MUD **FLAPS**

- Put your logo, telephone number or web site on display while protecting your rig and other drivers. (Most trucks average 10 million sightings per year per truck.)
- 1/4", 3/8" and 1/2" Poly or Rubber materials stay strong without curling on your trucks and trailers.
- Minimizer offers an entire standard letter character set in 2", 3", and 4" heights.
- Don't have a great company logo or the budget for custom plates? Choose from our stock art images to give your mud flaps that little extra.
- We offer a wide variety of heat stamp foil colors in an effort to match your company logo as closely as possible.
- These truck mud flaps will last for years without fading or tearing.

# STOM MUD FLAPS

"I am just an owner operator so I don't have a big advertising budget, but I figure these mud flaps are like handing out 50 business cards a day."



ON THE TRUCK

## GRAPHIC SERVICES

We have complete graphic services available for your design, typesetting or proofing needs. Custom plate requests will require high resolution artwork, preferably in vector format. If high resolution or vector artwork is not available, additional art charges may apply.

# LIGHT PANELS

ON THE TRUCK



## LIGHT PANELS

Minimizer's **NEW** Rear Center Light Panels are one of the easiest and most affordable ways to customize your ride! Our Rear Center Light Panels are made from the same polymers that make Minimizer™ Poly Fenders nearly indestructible. Which means they will never fade, never rust, never stress crack, and never need to be polished.

Offered in as many material and finish options as our Poly Fender line. The Rear Center Light Panel mounts to the rear of your truck frame and holds a total of 8 lights (4 - 6" x 2" angled oval encasements & 4 - 2" round encasements). The Open Cavity Light Panel features a decorative mounting plate that can feature your company logo (sold separately).

Installation is easy using the Minimizer™ Rear Center Light Panel Bracket System. For more information on Minimizer™ Rear Center Light Panels visit [www.minimizer.com](http://www.minimizer.com)!

All Minimizer™ Rear Center Light Panels are TESTED AND TORTURED, and carry the Minimizer™ Lifetime Guarantee!



# LIGHT PANELS

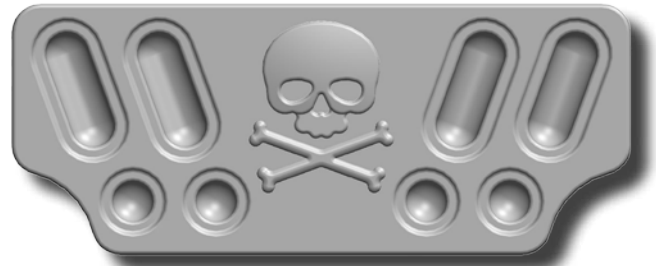
“Metal light panels have the same problems as metal fenders. I will never worry about rust or stress cracking with my new Minimizer Light Panel.”



ON THE TRUCK



**OPEN CAVITY** LIGHT PANEL



**SKULL AND BONES** LIGHT PANEL

**Part#**

- 100965 - PE Black Skull
- 101030 - PE Red Skull
- 101032 - PE White Skull
- 101028 - PE Green Skull
- 100966 - TPO/Paintable Skull
- 100967 - Liquid Platium Skull
- 100968 - Carbon Fiber Skull
- 100969 - Silver Mirror Skull
- 100970 - Smoky Black Mirror Skull

Lights and Wiring Harness Not Included.  
Mounting Bracket Sold Separately.

Dimensions: **35.4" W x 14.4" L x 2.6" D**

Panel Weight: **18 lbs (without lights)**

Bracket Weight: **11 lbs (sold separate)**

**Part#**

- 100430 - PE Black Skull
- 101029 - PE Red Skull
- 101031 - PE White Skull
- 101027 - PE Green Skull
- 100971 - TPO/Paintable Skull
- 100972 - Liquid Platium Skull
- 100973 - Carbon Fiber Skull
- 100974 - Silver Mirror Skull
- 100975 - Smoky Black Mirror Skull

Lights and Wiring Harness Not Included.  
Mounting Bracket Sold Separately.

Dimensions: **35.4" W x 14.4" L x 2.6" D**

Panel Weight: **18 lbs (without lights)**

Bracket Weight: **11 lbs (sold separate)**

# LED LIGHTS

ON THE TRUCK



## 4" ROUND LED CONSISTS OF STOP, TURN & TAIL LIGHTS

Our 12 diode LED lights are brighter and therefore safer than any incandescent light on the market. No more "burned out" tail lights... if one of the 12 diodes should ever fail, 11 are still on the job. This standard 4" model is made to perfectly fit the openings of our fender light box option.

Included with your LED light purchase is our black poly mounting grommet. It fits perfectly into our fender openings and the seal around your light keeps weather out.

Kit also includes 6 chrome bezel trim pieces. (As shown in picture.)

- ACCLED1200

# SLICK **DISK**

**ON THE TRUCK**



## **SLICK. JUST LIKE THE REST OF OUR PRODUCTS.**

- Protects the 5th wheel against friction and wear that can be caused by normal towing.
- Nearly eliminates the need for greasing the face of the 5th wheel plate.
- Installs in minutes
- Disk comes with clip.
- Please reference Part# ACCSLICK32ASSY



**LEAVE YOUR MARK  
ON THE WORLD  
NOT YOUR FLOOR.**

---

**MINIMIZER PRODUCTS**  
• **TESTED AND TORTURED™** •  
**DAILY BY TRUCKERS FOR TRUCKERS**

---



**IN THE TRUCK**

# CUSTOM MOLDED **FLOOR MATS**

IN THE TRUCK



## MINIMIZER™ CUSTOM MOLDED **FLOOR MATS** HAVE ARRIVED!

Whether it is the mud and snow off your boots, your morning coffee or your Big Gulp, the latest innovation from Minimizer™ is designed to protect the floor of your truck for years to come.

The engineers at Minimizer™ use cutting edge technology to scan the interior measurements and angles of each specific make and model semi cab to ensure an exact fit. A retention hook mounted to the base of the stick shift is designed to keep your floor mat in place. Protect your investment and reduce in cab corrosion.

**CALL 1-800-248-3855 OR VISIT [WWW.MINIMIZER.COM](http://WWW.MINIMIZER.COM) TO LEARN MORE ABOUT CURRENT AVAILABLE FLOOR MAT MODELS AND FUTURE RELEASES!**



# FLOOR MATS

"I already have a few sets, but I will be putting these floor mats in every truck I own."



IN THE TRUCK

Our tray system was designed to be removed easily for quick cleaning. In a matter of seconds you can have your Minimizer™ Floor Mats looking new and reinstalled so you can get your truck back on the road.

The textured surface will ensure your boots always get a solid grip. They will not break or crack under extreme conditions and are backed by a Lifetime Manufacturers Warranty.

Made out of a proprietary thermoplastic, Minimizer™ Floor Mats are designed to hold up to the daily abuse of the heavy duty trucking industry.





**TOOLS WHERE YOU  
WANT 'EM  
BENCHES WHERE YOU  
NEED 'EM**

---

**MINIMIZER PRODUCTS**  
• **TESTED AND TORTURED™** •  
**DAILY BY TRUCKERS FOR TRUCKERS**

---





**Minimizer**

**FIX THE TRUCK**

THE MINIMIZER ADVANTAGE:

# FIX THE TRUCK

FIX THE TRUCK



Minimizer cares about the trucking industry as a whole. So much so, that we took a look at other areas in which we could help improve the day to day duties of the repair professionals who have to **FIX THE TRUCK**. Lets face it “Stuff Happens” and a truck that is broke down sitting in a shop is not making money!

In the past, most of our focus has been on protecting the truck and the load without much attention being paid to the the guys who keep our power units and trailers; serviced and running properly. Then the Minimizer™ Maintenance Line was born... The **NEW** Single Tire, Dual Tire, and Tandem Work Benches put tools right where you want ‘em. Not just laying on a tire or on the other side of the shop in a tool box. Our engineers designed benches that can sit right on the truck within arms reach!

Our Work Benches are made from the same polymers that make our fenders nearly indestructible. All Minimizer™ Work Benches are **TESTED AND TORTURED**, and carry the Minimizer™ Lifetime Guarantee!

The Minimizer™ Tire Mask is another example of an inexpensive tool that can greatly improve efficiency even on the most tedious of tasks. Painting! Reduce masking and cleanup time by up to 90% with another great product from Minimizer’s Maintenance Line.

**BOTTOM LINE:**

**HAPPIER REPAIR PROFESSIONALS DOING THINGS EASIER.**

# SINGLE TIRE **WORK BENCH**

**FIX THE TRUCK**



**THE SINGLE TIRE WORK BENCH** sits directly on top of single tires making all your tools readily accessible while working on your truck. With almost 2 sq ft of surface area, the Single Tire Work Bench has enough space to keep everything you need to finish the job within arms reach.

## **ANOTHER GREAT PRODUCT FROM THE MINIMIZER MAINTENANCE LINE!**

The Single Tire Work Bench also works on flat surfaces and can be inverted to be used as a carrying bin. Like all the products in the Minimizer Maintenance Line, the Single Tire Work Bench has been thoroughly **TESTED & TORTURED** and comes with a **LIFETIME GUARANTEE!**

Part #: **100041**

Dimensions: **15" W x 18.5" L x 6" H**

Bench Weight: **3.5 lbs**

Surface Area: **1.9 sq ft**

Storage Area: **.7 cu ft**

# DUAL TIRE **WORK BENCH**

**FIX THE TRUCK**



**THE DUAL TIRE WORK BENCH** sits directly on top of dual tires making all your tools readily accessible while working on your truck. With almost 4.5 sq ft of surface area, the Dual Tire Work Bench has enough space to keep everything you need to finish the job within arms reach.

## **THE NEWEST ADDITION TO THE MINIMIZER MAINTENANCE LINE!**

The Dual Tire Work Bench also works on flat surfaces and can be inverted to be used as a carrying bin. Like all the products in the Minimizer Maintenance Line, the Dual Tire Work Bench has been thoroughly **TESTED & TORTURED** and comes with a **LIFETIME GUARANTEE!**

Part #: **100412**

Dimensions: **28" W x 23" L x 6" H**

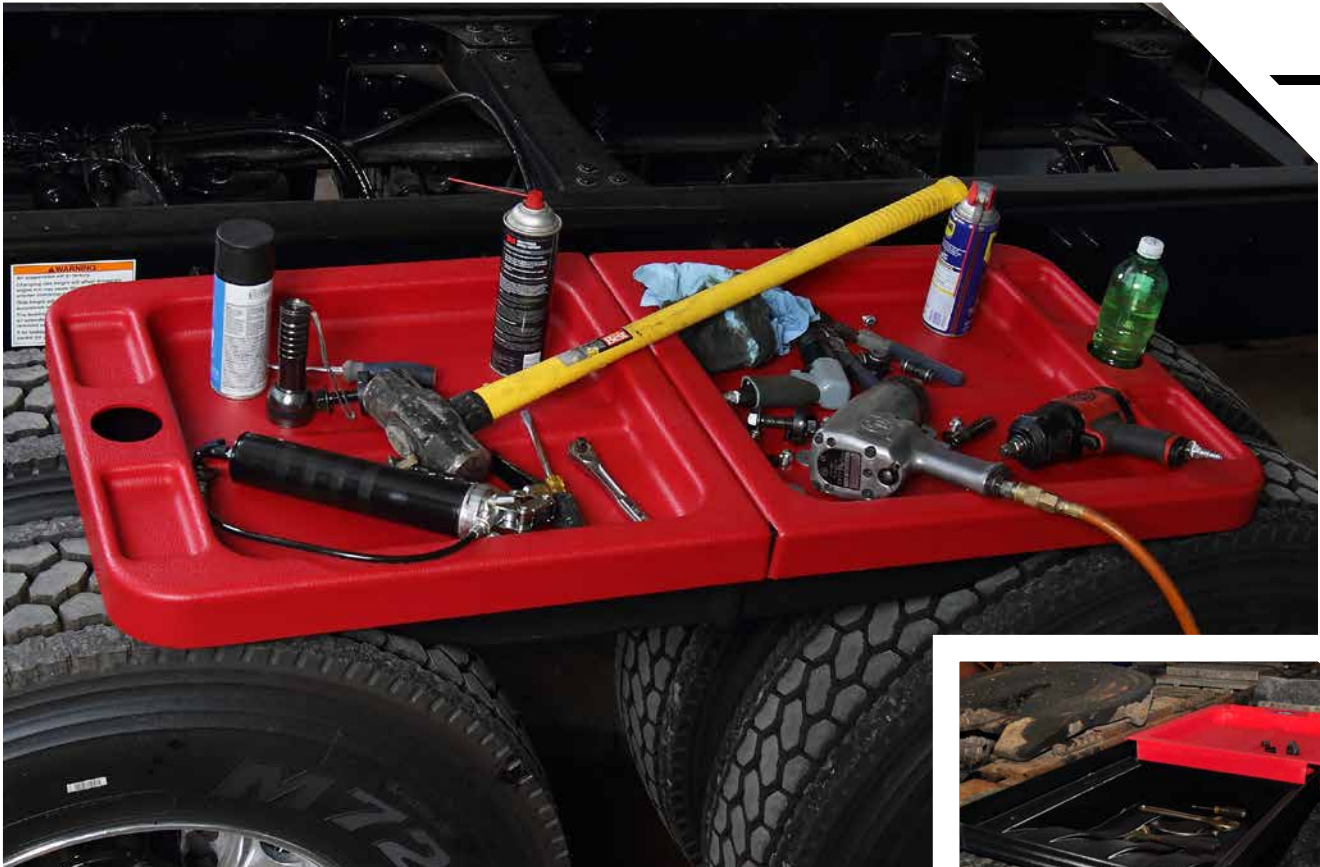
Bench Weight: **5.2 lbs**

Surface Area: **4.5 sq ft**

Storage Area: **1.5 cu ft**

# TANDEM **WORK BENCH**

**FIX THE TRUCK**



THE TANDEM WORK BENCH is designed to sit securely on tandems, and can hold up to 300 lbs.

## **SO GO AHEAD... PUT 'EM TO WORK!**

The Tandem Work Bench has a spacious waterproof interior compartment below two removable top trays and is made from durable polymers. It is TESTED and TORTURED; and comes with a LIFETIME GUARANTEE!

Part #: **100102**

Dimensions: **23.5" W x 54" L x 7.5" H**

Bench Weight: **22 lbs**

Surface Area: **8.8 sq ft**

Storage Area: **3 cu ft**

# TIRE MASK SYSTEM

T1

FIX THE TRUCK

THE MINIMIZER TIRE MASK SYSTEM  
REDUCES MASKING  
AND CLEANUP TIME  
**BY 90%!**

MINIMIZER TIRE MASK SYSTEM

- TESTED AND TORTURED™ •
- DAILY BY TRUCKERS FOR TRUCKERS



# RE MASK SYSTEM

FIX THE TRUCK

---

## MINIMIZER INTRODUCES A REVOLUTIONARY PRODUCT THAT TRANSFORMS THE LOOK OF WHEELS IN A FEW SIMPLE STEPS:

---

Minimizing maintenance costs are essential for any fleet operator and no task can be more tedious and more time consuming than painting rims. The new patented Minimizer™ Tire Mask System can significantly reduce fleet operating costs by reducing masking and cleanup time by up to 90%. Now, even the oldest rims can look brand new.

The Tire Mask kit is designed to protect tires from primer and paint over-spray when painting your rims but eliminates the need to fully tape and mask your entire wheel. Its patented technology is specifically designed for different sizes of tires. Kits come with a Tire Mask, which is available in 5 different sizes and once taped to the tire protects from paint and primer over spray. The Minimizer™ Tire Mask System also offers a patented Hubb Capp protector and a Rim Shield to ensure a precise painted finish without any of the cleanup and in a fraction of the time. All the pieces of the Minimizer™ Tire Mask kit can be reused for multiple applications.

**TIRE MASKS ARE AVAILABLE FOR 16", 17.5", 19.5", 22.5", AND 24.5" WHEELS**



# TESTED POSITIVE FOR PERFORMANCE ENHANCERS

---

MINIMIZER PRODUCTS

• **TESTED AND TORTURED™** •  
DAILY BY TRUCKERS FOR TRUCKERS

---





# RESOURCES

# OUR FAMILY'S WARRANTY

## RESOURCES

### BEFORE THE LEGAL GUYS HAVE THEIR SAY, HERE'S THE DEAL:

We're all only human and we know that sometimes, "stuff" happens. With our extensive background in plastic materials and the trucking industry, we also fully understand the physical properties of the materials we use and we know that our plastic doesn't just "break" or "crack" under normal use, unless the unforeseeable happens. If so – we have probably done it ourselves, or have tested our material to the utmost extremes and have seen it before. Be sure to check out our videos at [www.minimizer.com](http://www.minimizer.com) or [www.youtube.com](http://www.youtube.com) or ask a Minimizer™ sales representative for one to see how brutally we test our products.

We've engineered our fenders & brackets to last longer than the life of your truck. We're a family company, we so we truly do care about the products we produce on a daily basis.

We have an inherent respect for you, our customer, who makes their living using the vehicles and equipment our products serve to protect. So don't tell us you were "driving along" when your bracket broke or it bent back and your wheel is now rubbing the fender. We are drivers and were founded by a driver, so we've been around the block a few times. If you dumped your truck into a monster pothole, dropped a trailer, got hit by a reckless vehicle operator or backed over your flap and pulled the fenders off we sympathize with you and will try to help you out, as we've done or seen all those things. We want you to keep running our products on all your trucks, so in the unlucky event of stuff happening, please refer to our Stuff Happens (SH) policy below.

### SH POLICY

In the event customers have a misfortune with our product we will work with them to either offer to replace the part in question or sell replacement parts at a significant discount to our customers who forget that our products are not at all times "invincible". We extend this to original owners only. If you bought our product at an authorized Minimizer™ dealer, please see them for details. We will require a digital photo of the damage or the original part back. We promise to make it right for you. We do not want an "accident" to leave a bad taste in your mouth regarding Minimizer™ Products. Always remember we have been in the trucking industry for 30 years and have seen it all. Nothing is unexpected with us.

Tell us your story as we love to hear what our fenders go through on a day to day basis. If it's a good story we will even brag about it on our website.

# MILY'S WARRANTY

## MEET THE **FAMILY - FOUR GENERATIONS**

“Our pride is your assurance that you will get only our very best with every order.”

- The Kruckeberg Family



**RESOURCES**

A family operation is a special operation. We know quality products and commitment to our customers is the foundation for our future. We know our reputation as a family run company ships right along with every product we produce.

When your name and your children's, grandchildren's and great grandchildren's future are shipping with your products, you get it right every time. We are proud of the innovations of our Poly Fenders and Brackets, Floor Mats, Tool Boxes, Mud Flaps, Work Benches, Light Panels, Slick Plates and Slick Disk.

We are proud of the people who make them. We are proud to be a family run business in the USA.

# LAWYER'S WARRANTY

LAW

## RESOURCES

### WARRANTY AND LIMITATION OF REMEDIES

#### 1. GENERAL CONDITIONS.

Spray Control Systems, Inc. ("SCSI") provides the following Warranty and Limitation of Remedies for the products identified below.

The specific SCSI products identified below will be free from defect in materials and workmanship for the specific periods stated for each product.

SCSI MAKES NO OTHER WARRANTY, EXPRESS OR IMPLIED, EXCEPT AS ARE SPECIFICALLY SET FORTH IN THIS DOCUMENT. SCSI MAKES NO IMPLIED WARRANTIES, INCLUDING ANY IMPLIED WARRANTY OF MERCHANTABILITY OR FITNESS FOR A PARTICULAR PURPOSE. Additionally, this warranty is in lieu of all other obligations or liabilities on the parts supplied by SCSI.

IN NO EVENT WILL SCSI BE LIABLE FOR AN AMOUNT IN EXCESS OF THE PURCHASE PRICE OF ITS PRODUCTS FOR ANY LOSS OR DAMAGE, WHETHER DIRECT OR IN-DIRECT, INCIDENTAL, CONSEQUENTIAL, OR OTHERWISE, INCLUDING, BUT NOT LIMITED TO, LOST PROFITS OR PUNITIVE DAMAGES ARISING OUT OF THE ALLEGED FAILURE OF SCSI'S PRODUCT.

SCSI will not be held monetarily or legally responsible, in whole or in part, for final product configurations which exceed structural limits, weight or length restrictions, which are not within accepted automotive manufacturing practices.

SCSI will not be responsible for damages or breakage caused by alterations or installation of the product.

All returned product for warranty claims are analyzed and the condition of the product is thoroughly documented. If any product is returned due to a manufacturing defect or product failure, a corrective action is assigned to the particular part, and a parts specialist will contact you as to how the warranty will be handled and inform you of all actions that will be taken. SCSI reserves the right, at its sole option, to satisfy its warranty obligations for products determined by SCSI to qualify by returning a repaired product, replacing

the product, or refunding the purchase price.

The set warranties are not transferable beyond the original owner. Should any problems develop with the Minimizer™ fender, mounting hardware, mud flaps, floor mats or tool boxes contact SCSI at the toll free service number- 800-248-3855. Keep a copy of the original invoice to claim & validate your warranty. SCSI neither assumes nor authorizes any person supposing to act on its behalf, to change, nor to assume for it, any warranty or liability concerning its products.

Due to the use of the highest quality products, best in technology, and the continued use of good workmanship, Spray Control Systems, Inc. is able to offer one of the best warranties in the truck & trailer industry. We continually push the boundaries and will stand 100% behind all products shipped through our doors under the following guidelines listed below.

Spray Control Systems, Inc. warranty is broken down into specific product type, please read and inform yourself of each specific products conditional warranty as they may apply. Any questions regarding wording or warranty please contact SCSI at 800-248-3855.

#### 2. SPECIFIC PRODUCTS.

##### A. Standard Fender Products.

A.1 SCSI warrants that, as long as the products remain on the original vehicle, and are owned by the original purchaser of the SCSI product, for the useful life of the Minimizer™ Fender (i) all polyethylene components will be free from defects in material and workmanship, including free from rust and corrosion; and (ii) the standard four set primary colors described in the catalogue, and on the web site, will be free from all color shifts.

A.2 SCSI warrants that paint film used on standard bracket products will be free from defects in material and workmanship, subject to the exclusions below, for three (3) year after date of purchase.

# YEAR'S WARRANTY

A.2.1 Warranty is void if the paint itself is defective.

A.2.2 Any specialty products or colors are not warranted for color shifts.

A.2.3 Warranty for standard four-set primary colors includes peeling, chipping and fading. In no event will the warranty apply to films altered by outside forces. Contact with trailers, other debris or simple accidents void the warranty, and will be the sole responsibility of owner to repair at their cost.

A.3 SCSi warrants that, as long as the products remain on the original vehicle, and are owned by the original purchaser of the SCSi product, Minimizer™ Fender products will be free from stress cracks, dents and tears under normal operating conditions for the useful life of the product. If the condition is caused by non-normal operating conditions such as a motor vehicle accident, the warranty is inapplicable.

A.4 Minimizer™ molded tail light sections, provided with some fender products, are water resistant, but are not WATERPROOF. Attachment of the mud flaps, regardless of whether they are DOT regulated, directly to the bottom of the light box fender will void any and all applicable warranty. SCSi will not be held responsible for damages caused by mud flaps or mud flap installation.

A.5 Any Minimizer™ Fender product not mounted with Minimizer™ mounting hardware will void all warranties.

## B. Specialty Fender Products.

Specialty Fender Products have the same warranty and limitations as Standard Fender Products, except as noted in Section A.2.2 the warranty against color shifts does not apply to Specialty Fender Products.

## C. Mud Flaps.

All Minimizer™ brand mud flaps are warranted for one (1) year from date of purchase against breakage, curling and separation under normal operating conditions within the

recommended service temperature of -40F to +150F.

## D. Tool Box.

D.1 SCSi warrants that all of the polyethylene components will be free from defects in materials and workmanship for a period of one (1) year from the date of purchase.

D.2 SCSi warrants the polyethylene will be free from rust and corrosion for the useful service of its life of the Minimizer™ Tool Box.

D.3 SCSi warrants all hardware and mechanical components to be free from defects in materials and workmanship for a period of one (1) year from date of purchase.

## E. Mounting Hardware.

SCSi warrants all metal mounting hardware to be free from defects in materials and workmanship for the period of one (1) year from purchase.

E.1 SCSi warrants that, as long as the products remain on the original vehicle, and are owned by the original purchaser of the SCSi product, for the useful life of the Minimizer™ Composite Bracket all poly components will be free from defects in material and workmanship, including free from rust and corrosion.

## F. Floor Mats

Minimizer Floor Mats are backed by a Lifetime Manufacturer's Warranty and are guaranteed against flaws due to faulty materials and/or unintended production variations. This warranty extends only to the original purchaser and excludes damage caused by abnormal use or conditions, including but not limited to extreme abrasive conditions and/or excessive exposure to chemicals such as bleach, gasoline and other fuels.

# SERVICE PARTS

RESOURCES



## FAST SHIPPING ON REPLACEMENT PARTS

Hey, Minimizer™ products are tough... made to take a beating. But on the rare occasion that you need a replacement part -- a bracket, a bolt, an individual fender... whatever -- it's our job to make sure you get it fast. We keep a complete inventory of the parts you need. So if you happen to need a replacement part for any of our products, call direct and we'll get it shipped from our dock as fast as we can.

# RETURN POLICY

Spray Control Systems, Inc. wants you to be happy with any purchase that you make from us; therefore we offer only high quality merchandise that we feel is superior in materials and craftsmanship. If you are unhappy with your purchase feel free to contact us and we will be happy to make it right.

We'd like to help you resolve a purchase problem as quickly and easily as possible provided you meet the terms and conditions listed below. Please note that NOT ALL items are covered by our RMA Policy. You may return your purchased products within 15 days of the invoice date. After 15 days, no merchandise can be returned unless defective or within the terms of the manufactures warranty. Anything returned without an RMA number on the outside of the package will be refused and sent back to the company.

## MERCHANDISE RETURN POLICY

1. All merchandise returned will be subject to a 20% restocking charge. All sales are subject to approval before return. Our knowledge of your intent to return the merchandise will insure that you receive proper credit.

2. Please provide the following information when calling or e-mailing for an RMA number: Customer Name, Contact Name, Zip Code (Billing), Sales Order Number, SCSi Part# and Quantity, along with the nature of the problem.

3. New merchandise will be accepted for credit only with prior approval by an SCSi Product Specialist. Your Product Specialist will issue a RETURNED MATERIAL AUTHORIZATION (RMA) number which must appear on all returned cartons and corresponding packing list's). Merchandise must be received within 30 days of issuance of the RMA number otherwise, credit will not be issued. No merchandise can be returned after 15 days unless defective or within the terms of the manufactures warranty.

Please Note: No returns will be accepted if the manufacturer's RMA# sheet is missing or is not visible on any and all packages being returned.

4. All purchased merchandise must be returned in "BRAND NEW" condition, if materials are returned in a "Less Than Brand New" condition You will be notified by an SCSi representative. A refurbishing fee may be required to restore the merchandise to a marketable condition. The fee for refurbishing will be presented to you to accept or reject, at which time the merchandise will either be reworked or returned to you. This fee is in addition to any restocking or handling fee of at least 10% which may be levied. Credit for returned merchandise will be issued at the original purchase price minus any fees listed above. Only merchandise purchased within the past fifteen (15) days may be returned. Special order merchandise can not be returned at any time.

5. If the returned packages are missing any of the manufacturers supplied accessories or there is obvious damage or visible wear and tear to the merchandise, Spray Control Systems, Inc. reserves the right to refuse the return.

6. If you are trying to return/exchange an item that you've tried to install and the item has become damaged so that it is no longer in "BRAND NEW" condition, we will not be able to accept a return/exchange on that item. We can only allow returns/exchanges for new and unused parts that have not been installed and/or damaged.

7. All products are sold with their respective manufacturer's warranties. Please note that warranty periods and services vary depending on the product.

8. The purchaser will be responsible for return shipping costs. When returning products, we strongly recommend the use of a carrier that can track packages. Spray Control Systems, Inc. does not reimburse any customers return shipping cost. Claims for delay, loss, or damage should be made against the freight carrier.

9. Spray Control Systems, Inc. will not accept any returns shipped freight COD or UPS COD. If you ship items to us, please insure the items to their full value and request proof of delivery. Items must be in a reasonable return package, to insure they are returned in a "BRAND NEW" condition. If not, damage may occur in the shipping process, which SCSi will not be held responsible, and may cause the product to be returned in a "NOT LIKE BRAND NEW" condition.

10. Returned goods privileges will apply only to customers currently purchasing Minimizer™ Products and whose accounts are in current condition. No cash settlement will be made, if you are inquiring about RMA # for merchandise that was purchased through one of Spray Control Systems, Inc. qualified dealers, and not directly from SCSi, please contact your point of purchase retailer, and notify them. They will be responsible for the return of merchandise.

11. The customer shall not deduct amounts for returned merchandise from payments to Spray Control Systems, Inc. When approved returned merchandise has been received, inspected, and processed, Spray Control Systems, Inc. will promptly issue credit to the customer account or Customers Credit Card. No deduction shall be made until the credit memo has been issued.

12. Customers returning merchandise which is not approved for credit or replacement will be notified in writing by a Spray Control Systems, Inc. Representative. Failure by the customer to respond within ten (10) days to such notice will be just cause for Spray Control Systems, Inc. to scrap or return the merchandise, freight collect, back to the customer.

13. Customers needing additional assistance regarding the Merchandise Return Policy should contact Spray Control Systems, Inc. and ask to speak to a representative.

## REQUESTING AN RMA#

You may choose to use our RMA form for requesting a product return online through our web site's RMA form:

## Request RMA

Anything returned without an RMA number on the outside of the package will be refused and sent back to the company.

After receiving your RMA Number, place your RMA# sheet in a clear visible spot and write your RMA number legibly on the return label and the outside of the box and return the entire package to:

Spray Control Systems, Inc.

# MINIMIZER **ON THE WEB**

**RESOURCES**

WE NOW OFFER A **FREE CANVAS PRINT** OF YOUR TRUCK WITH MINIMIZER™ FENDERS!



If you would like a FREE canvas print of your truck sporting Minimizer™ fenders please provide a high res JPEG image and your address via email [info@minimizer.com](mailto:info@minimizer.com).

Note: Size of print will vary with size and orientation of image provided. (12x12, 16x18, or 18x20). Limit one per household or business. By submitting your photo you agree to allow Minimizer™ or its partners the usage of your submission for marketing purposes.

---

**TALK TO US @ [WWW.MINIMIZER.COM](http://WWW.MINIMIZER.COM)**

The NEW Minimizer™ website is packed full of useful information.

- Browse all of our product pages.
- Watch testimonial videos from industry professionals just like you!
- Find mounting and installation instructions.
- Read the latest press releases to learn more about the exciting new products Minimizer™ is coming out with!
- Submit your photos, stories, product feedback or product ideas.





# ZER ON THE WEB

## WE'RE SOCIAL @ MINIMIZER™

Minimizer™ realizes the importance of social networking. Follow us on Facebook and Twitter! You'll get the latest product news, company updates, and distributor news. You'll have access to the videos and you can follow us at trade shows and keep track of our new Innovation & Training Trailer!



RESOURCES

---

## BE SURE TO CHECKOUT OUR NEW **MOBILE SITE!**



The new Minimizer™ mobile site is formatted specifically to fit the screen of your smart phones and tablets allowing you access to all of the same useful information available on our standard website...wherever you have coverage!

[www.minimizer.com](http://www.minimizer.com)

# CUSTOMER PHOTOS

# CU

RESOURCES



# STOMER PHOTOS

RESOURCES





---

MINIMIZER PRODUCTS

• **TESTED AND TORTURED™** •

DAILY BY TRUCKERS FOR TRUCKERS

---

Manufactured by Spray Control Systems, Inc. (SCSI)  
500 Minimizer Way Blooming Prairie, MN 55917  
800.248.3855 • Fax: 507.583.7540  
[www.minimizer.com](http://www.minimizer.com)