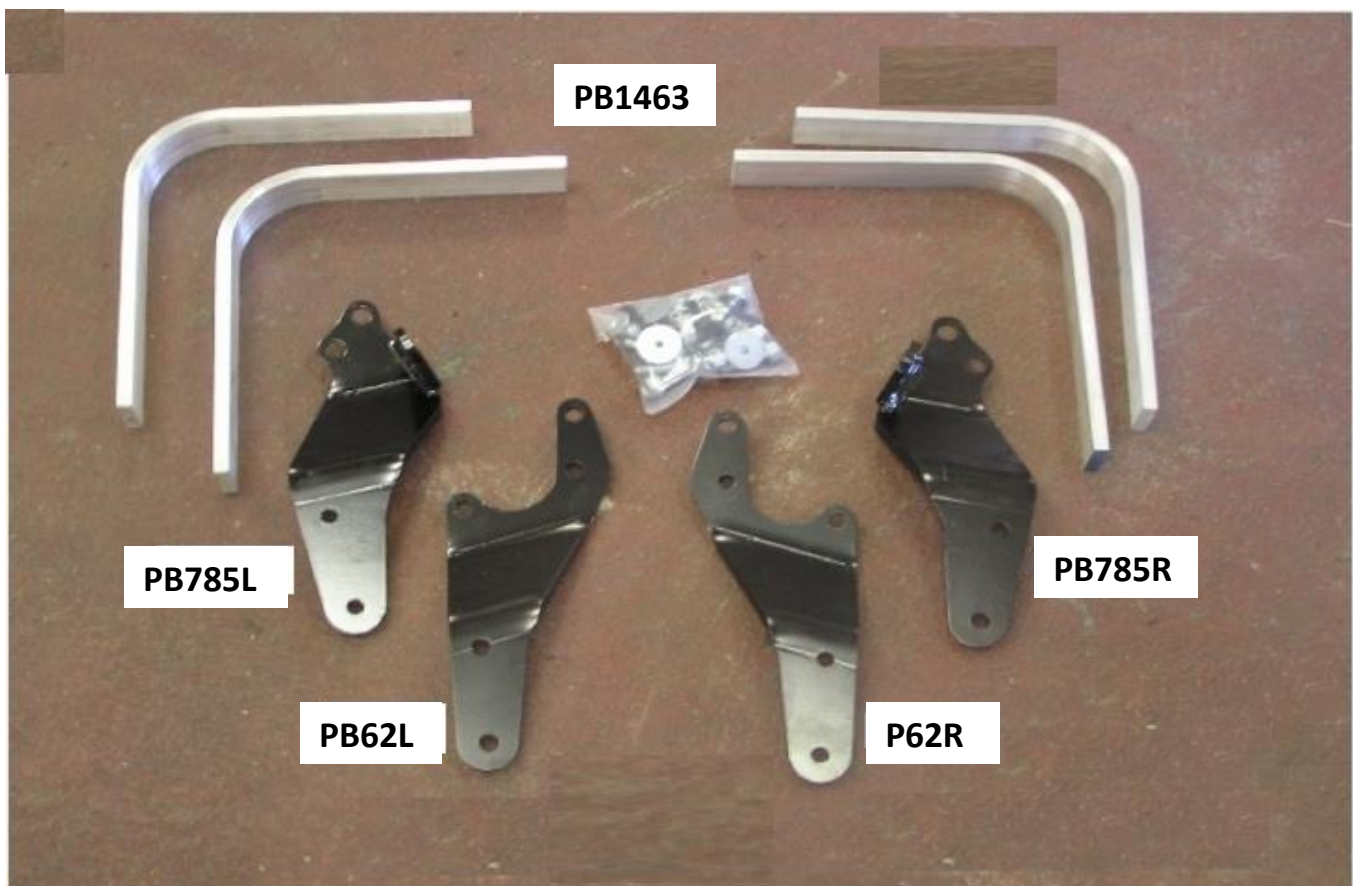




**INSTALLATION INSTRUCTIONS  
STEERABLE AXLE BRACKET KIT  
FOR HENDRICKSON HLUS-2, FABRICATED AXLE WITH  
2 PIECE SPINDLE AND EATON 4 BOLT FORWARD CAM  
KIT # B862SBA**



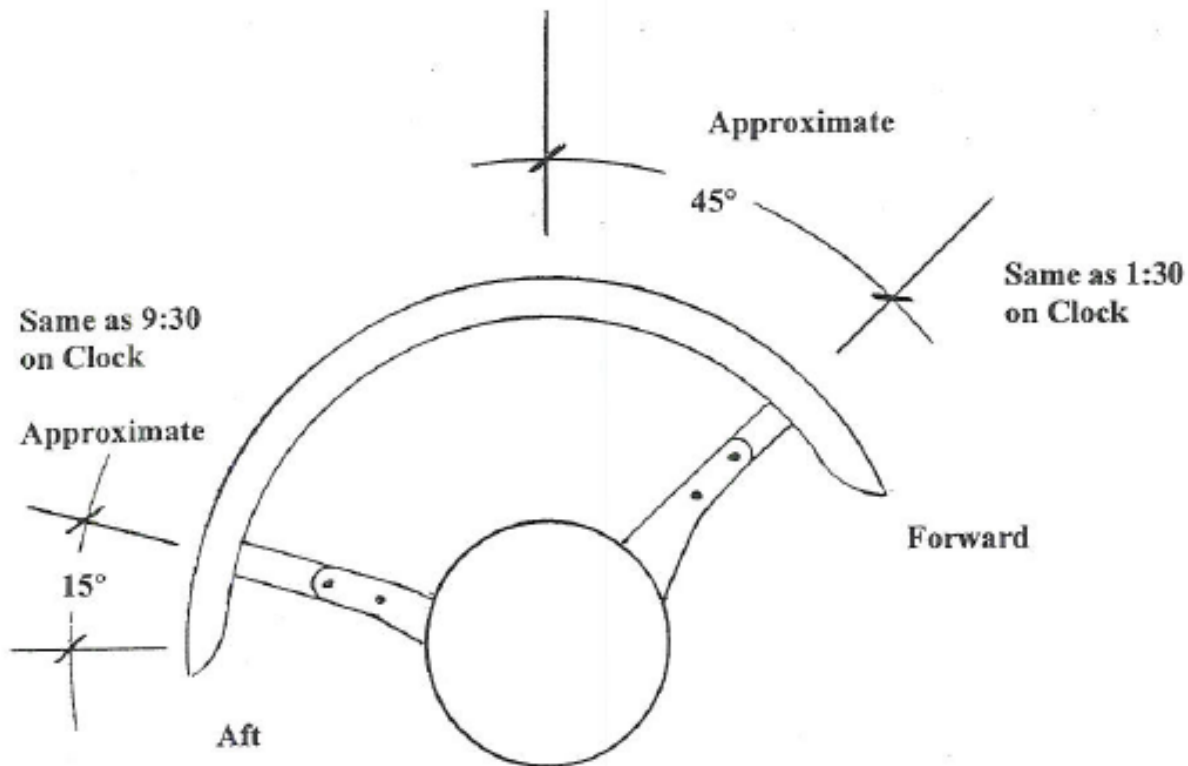
***\*\*BOLTS ARE ONLY PROVIDED FOR STEPS 13 & 14. BOLT SIZES VARY IN STEPS 1-12 DEPENDING ON THE APPLICATION AND ARE NOT PROVIDED.***

1. Remove the brake drum
2. Remove the lower two 5/8" bolts on the rear side of the spindle
3. Remove the 3/4" bolt in the steering arm that attaches the horizontal stabilizer.
4. Install 5/8" x 3" long grade 8 bolts in the lower two spindle holes with 3 each 5/8" SAE flat washers on the top bolt and 1 each on the lower bolt.
5. Install 3 each 3/4" SAE flat washers in the counter bore of the steering arm.



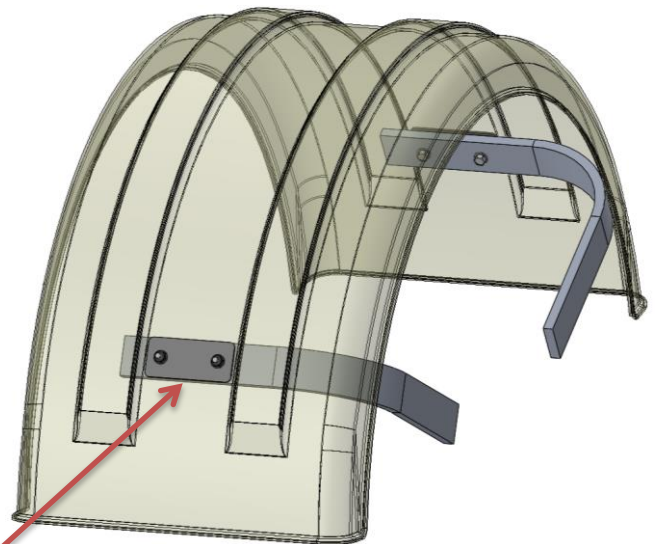
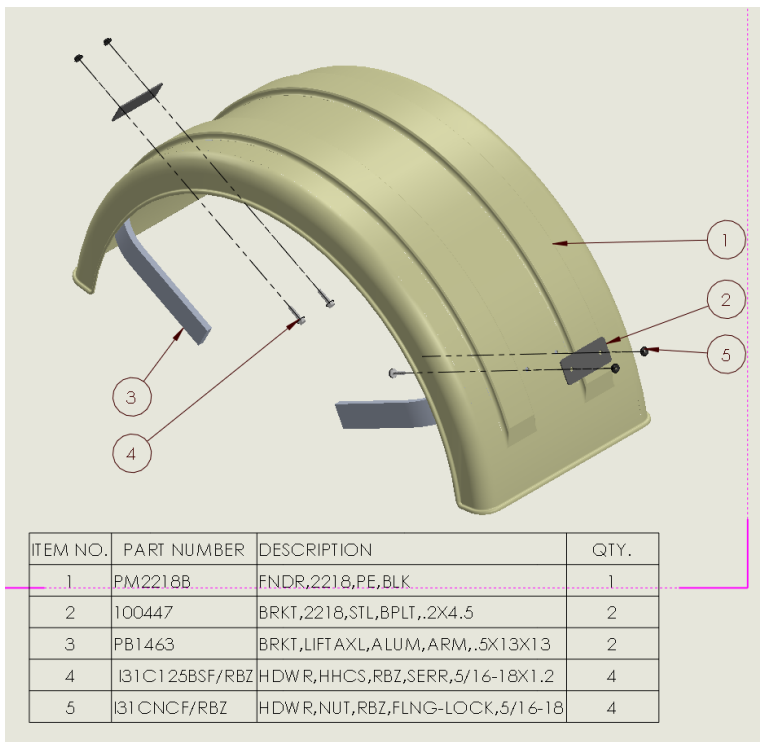
6. Install the PB785L/R bracket. (All of the washers are installed “first” as spacers before installing the 785 bracket.)
7. Re-install the horizontal stabilizers with  $\frac{3}{4}$  x 5” grade 8 bolts and tighten all nuts. Note: The first stabilizer can be installed easily by shifting the tie rod to one side. To install the second stabilizer, the use of small come-along or ratchet strap to compress the first stabilizer makes the job much easier.
8. Remove the top front and the lower two  $\frac{1}{2}$ ” bolts on the cam tube flanges and install the PB62L on the left side and the PB62R on the right side. Replace the 6 each  $\frac{1}{2}$ ” bolts with  $\frac{1}{2}$ ” longer grade 8 bolts.
9. Re-install the brake drum.
10. Install tire and wheel.
11. Cut the aluminum arms to length (some might be a little long depending on the application.)
12. Hold the aluminum arms in place leaving about a 1-1/2” gap between the fender and the tire.
13. Clamp the aluminum arms in place with a vise grip. (Make sure the inside of the arms point directly to the center of the spindle.) Mark and drill  $\frac{1}{2}$ ” holes in the aluminum arms. Bolt the aluminum arms to steel mounting brackets using  $\frac{1}{2}$ ” bolts with self-locking nuts (provided in kit).
14. Install the fender on top of the aluminum arms. Roll fender until it is approximately the same distance from end of the fender to the 2” arm on both ends of the fender. Make sure fender is parallel to tire. Drill 2 each  $\frac{5}{16}$ ” diameter holes on 6” centers (approximately 3” left and right of center) to bolt the fender to the arm. Use  $\frac{5}{16}$ ” bolts w/self-locking nuts (provided in kit).

### Recommended Placement of Brackets and Fenders for Correct Installation



## Instructions for use of MIN221800 fenders with Minimizer steerable lift axle brackets:

- Inside the Minimizer bracket kit locate four steel plates (Minimizer part number 100447)
- The steel plates are to be installed on the exterior surface of the fender.
  - Align the steel plate so it is even (top to bottom) with the aluminum arm. Use one plate for each aluminum arm.
  - Drill two 21/64" holes through the fender using the steel plate as a template
  - Drill two 21/64" holes in the aluminum arm using the fender and steel plate as a template.
  - Use the 5/16-18"x 1-1/4" hardware provided by Minimizer to fasten the fender in between the aluminum arm and the steel plate.
  - **Tighten the 5/16-18X1-1/4 bolts to a recommended torque of 5-7 ft-lbs. Do not exceed the recommended torque.**
- Failure to install the exterior steel plates at the time of installation will void the manufacturer's warranty on the MIN221800 fender component.
- If installing fender model MIN161200 or any model other than MIN221800, the steel plates are not necessary and may be discarded.



ALIGN STEEL PLATE WITH ALUM ARM

