



Document #10006017

Minimizer hanger bracket kit 10001461 must be purchased separately to install the 50" underbody tool box on a vehicle. This kit is compatible with the center bracket (10001546) and hardware kit (10001546) that are provided with every 50" underbody tool box.

FAILURE TO USE MINIMIZER BRACKET KIT 10001461 AND CENTER BRACKET 10001546 WILL VOID MANUFACTURERS WARRANTY. WHEN INSTALLED PROPERLY, THE MINIMIZER UNDERBODY TOOL BOX CAN HOLD A MAXIMUM CARGO LOAD OF 250 LBS. OVERLOADING A TOOL BOX WILL VOID THE MANUFACTURERS WARRANTY.

TOOLS REQUIRED: Marking Pen, Tape Measure, Hammer, Center Punch, 3/8" Ratchet with 3" Extension and 1/2" Socket, 1/2" Open End Wrench, Power Drill with 1/2" Drill Bit.

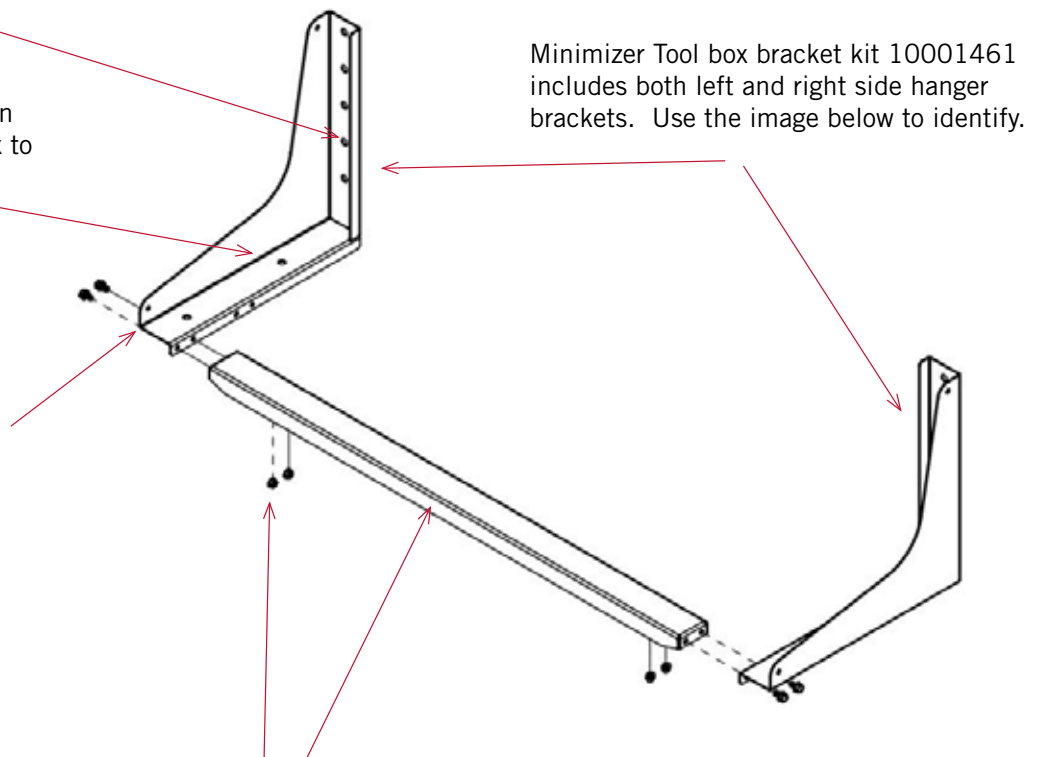
The hardware to attach bracket kit 10001546 to the vehicle frame is not included. Recommended hardware is 1/2" flange bolts and nuts or 1/2" hex head bolts with flat washers. The length of bolts required will vary based on the vehicle configuration.

STEP 1 - ASSEMBLE TOOL BOX BRACKETS

The row of five 1/2" holes shown below are used to attach the bracket assembly to the vehicle frame. A total of four 1/2" bolts are required.

The pattern of two 1/2" holes shown below is used to attach the tool box to the hanger bracket.

For underbody tool box installations, attach the center bracket (10001546) to the hole pattern near the end of the hanger bracket.



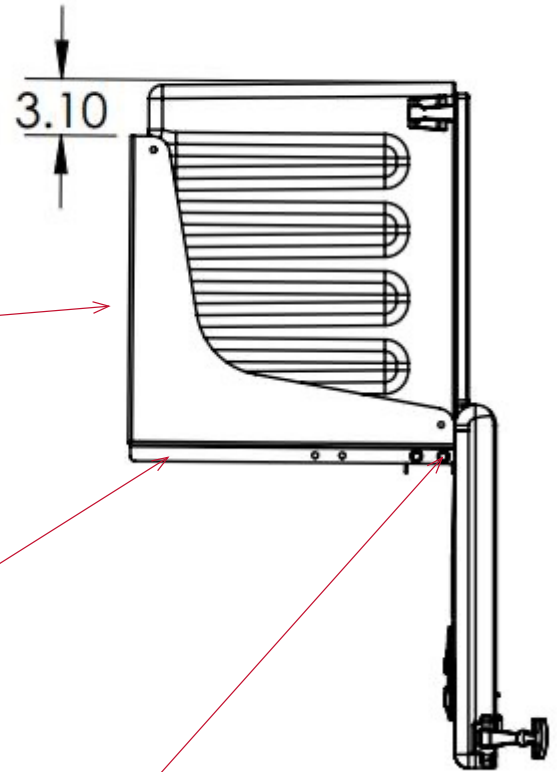
Attach center bracket (10001546) to the left and right hanger brackets. Use the set of 4 bolts and nuts from hardware kit 10001546 shown above.

STEP 2: SELECT A MOUNTING LOCATION ON THE VEHICLE FRAME

When locating the hanger bracket assembly on the vehicle frame, consider that the tool box will extend approximately 3.1" above the bracket assembly.

Select four mounting holes from the pattern of five that best fit the vehicle frame. A total of four 1/2" bolts through the vehicle frame are required to attach the bracket assembly.

Use the two 1/2" clearance holes in the bracket assembly to attach the box to the hangers. Before drilling through the box, verify that the door does not interfere with the center bracket when fully open.



Allow clearance between the bracket assembly and the door when in the open position.

STEP 3 ATTACH BRACKET ASSEMBLY AND TOOL BOX TO VEHICLE

- A. Use bracket assembly to mark hole locations on the vehicle frame.
- B. Verify that the location of the frame holes will allow space for washers and hand tools.
- C. Drill 1/2" holes through the vehicle frame. Use care when drilling. Items inside the frame can be easily damaged.
- D. Attach the bracket assembly to the vehicle frame with four 1/2" bolts. Use standard torque specs for the grade of hardware used.
- E. Drill 1/2" holes through the toolbox to align with the bracket.
- F. Attach the tool box to the bracket assembly with four 1/2" bolts. Use standard torque specs for the grade of hardware used.

MAXIMUM CARGO LOAD OF THE MINIMIZER 50 INCH UNDERBODY TOOL BOX WHEN PROPERLY INSTALLED IS 250 LBS. USE OF ANY BRACKET SYSTEM THAT DOES NOT INCLUDE MINIMIZER HANGER BRACKETS (10001461) AND CENTER BRACKET (10001546) WILL VOID MANUFACTURERS WARRANTY.

A DIVISION OF **HIGH BAR BRANDS, LLC**



**HIGH BAR
BRANDS**



2701 18th Street SW, Owatonna, MN 55060
1-800-248-3855 | Fax: 507-583-7540
www.minimizer.com