

## Installation Instructions for Fender Bracket Kit 10001417



Document #10005010, Revision A

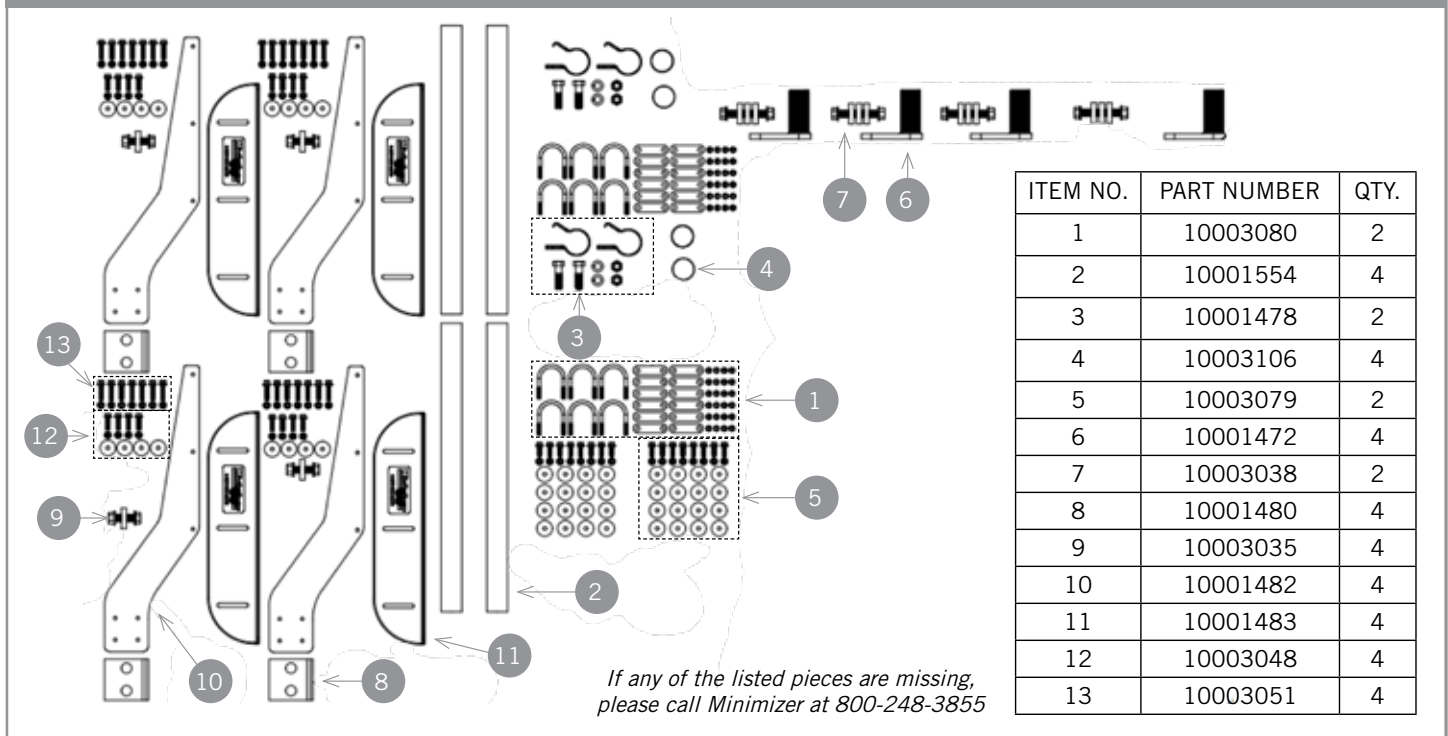
Brackets are Compatible with Models:

MINTA910, MINTA1554, MINTF900 & MINTF1554.

### STEP 1 - IDENTIFY PARTS

- A. Lay out parts and hardware packs.
- B. Compare the parts and hardware with bracket kit 10001417 as shown in **Figure 1**.

FIGURE 1



### STEP 2 - JOIN FENDERS

- A. Lay the fenders out and clamp them together once they are aligned. This will make bolting them together easier. (See **Figure 2**)
- B. Bolt fenders together using four 5/16" x 1" bolts, 5/16" nuts and 5/16" x 1-1/2" fender washers included in the kit.
  - a. **Recommended torque is 10-15 ft.-lbs.**
- C. In some cases, the straight section may need to be trimmed to fit a specific wheelbase.
  - a. To install the end cap, trim off one end of the flat fender section to the desired length and clamp the end cap to that end. (See **Figure 3**)
  - b. Drill five 1/4" holes through the fender using the holes in the end cap as a guide.
  - c. Use five 1/4" x 3/4" Phillips head bolts and lock nuts to connect the fender to the end cap.

**Note:** The (10003053) hardware kit described above is sold separately from the bracket kit.

FIGURE 2

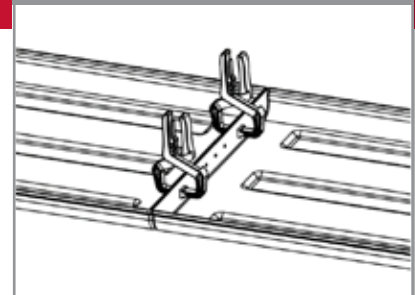
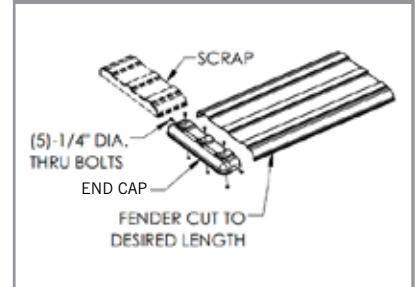


FIGURE 3



### STEP 3 - DETERMINE SIZE OF SPACERS AND POSITION FENDERS

- A. Confirm the total suspension travel distance. This is used to determine the clearance required between the fender and the tire.
  - a. For air suspension systems, dump the air bags and confirm it is the lowest point of travel.
    - i. Understand that some air suspension designs may cause the wheels to roll closer to the fender (roll forward) as the suspension deflates. In order to make sure the fenders are centered on the tires, test the suspension in the inflated and deflated positions to determine the best positioning so that the fenders are centered over the tires in the inflated position.
    - ii. For **air suspensions with travel exceeding 6"**, a travel stop may need to be installed to reduce required clearance between the fenders and tires. This will also improve alignment and 5th wheel plate clearance. (Please call Minimizer @ 800-248-3855 for questions regarding this issue).
  - b. For spring systems, measure the distance between the spring assembly and the bump stops on the frame and record the measurement.
- B. Place the fenders on spacer blocks above the tires.
  - a. In most applications 1.5" of tire clearance is best.
  - b. The goal is to ensure the fender does not rub the tire.
    - i. The minimum clearance recommended is  $\frac{3}{4}$ " above the maximum travel point of the suspension system.
  - c. For an air suspension system, place a  $\frac{3}{4}$ " to 1.5" thick board on top of the tires after the air is released from the airbags. **(See Figure 4)**
  - d. For spring suspensions use spacer material that is  $\frac{3}{4}$ " to 1.5" thicker than the measurement recorded above.
- C. For trucks with air suspension, raise and lower the suspension to confirm the clearance between the fenders and wheels and that the fenders will be centered front to rear when the air suspension is inflated.

### STEP 4 - POSITION BRACKETS & REVIEW MUDFLAP CONFIGURATION

- A. With the fenders in position, mark and test fit the brackets where they will attach to the frame.
- B. If possible, use existing bolt holes in the frame to attach.

*Tip: It is common for the front bracket to align with the existing quarter fender holes.*

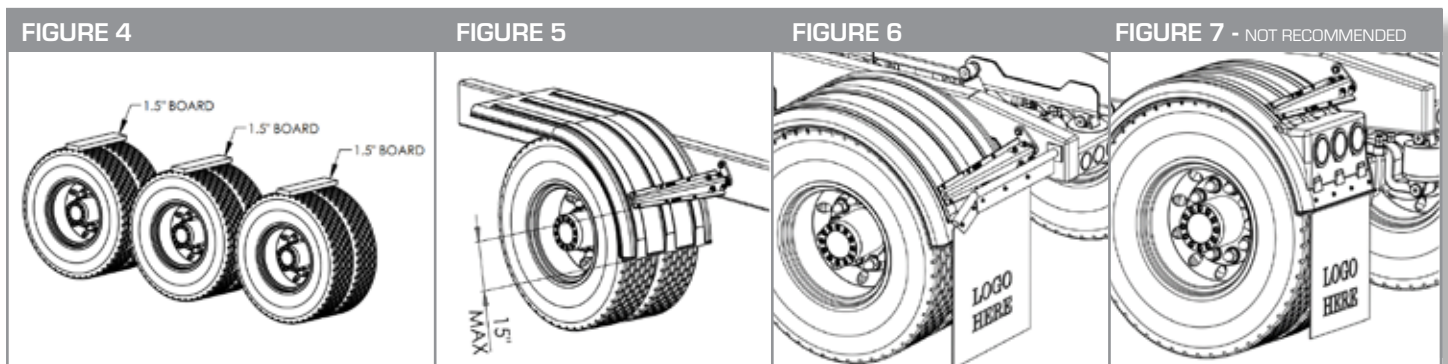
- C. If possible, position the mounting brackets low on the fender so they are no more than 15" from the bottom. **(See Figure 5)**
  - a. Brackets mounted 8-12" from the bottom is optimal.
  - b. The goal is to reduce the risk of the leading edge of the fender from blowing back against the tire during high wind.

*Tip: If the front fender bracket is mounted higher than 15", refer to the link below for further suggestions on adding additional support. <http://www.minimizer.com/instructions.html>*

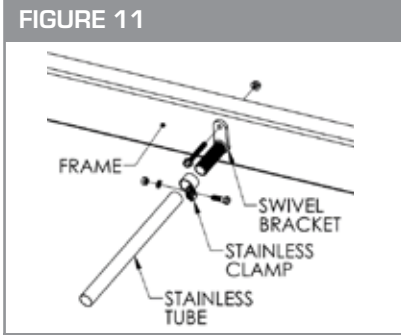
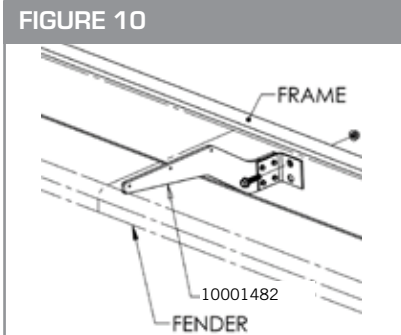
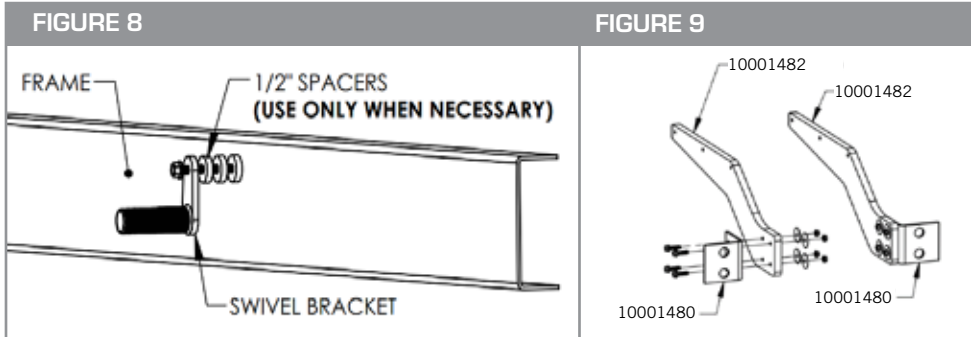
#### NOTES:

- In some applications the rear fender will tuck inside the mud flap hanger as shown in **Figure 6**. This is the recommended configuration.
- Minimizer recommends using a separate hanger to hold the mudflap that is independent from the fender assembly.
- If a mudflap attached to a lighted fender is backed over, the fender and mounting brackets may be damaged.
- If there is no other option but to attach mudflaps to the fender, best practice is to cut vertical slots in the mudflap (in line with the mounting holes) to allow it to break away from the fender.

**Warning:** Attaching a mudflap to the bottom of a lighted fender as shown in Figure 7 will void manufacturer's warranty.



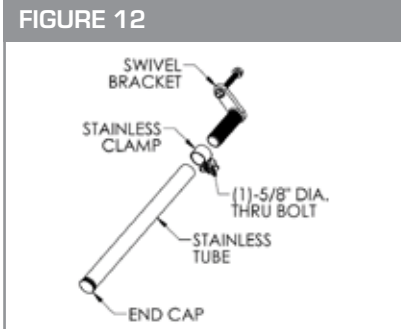
- Round spacers are supplied to hold the (10001472) swivel bracket away from the frame when needed. In some cases, frame components may interfere with the required bracket location and require a spacer. **(See Figure 8)**
- **USE SPACERS ONLY WHEN NECESSARY!** The ideal installation is to mount the (10001472) swivel bracket directly to the frame using no spacers.
- If using the mounting hole inside the pipe of the swivel bracket, the excess flat steel maybe trimmed off to provide a cleaner look.
- D. Attach the (10001482) poly arms to the (10001480) metal brackets using four 5/16" x 1-1/2" bolts. **(See Figure 9)**



**IMPORTANT INFORMATION:**

- Assemble a left and right-hand arm assembly as shown in **Figure 9**.
- The bolt head **MUST** be located on the metal plate side. If not, the serration on the bottom of the bolt head will damage the poly arm.
- Tighten from the bolt head side so the nut does not spin on the poly arm.
- If the locknut is ever loosened after it has been tightened it is highly recommended to replace the locknut.
- **Recommended torque is 10-15 ft.-lbs.**

**CAUTION: Overtightening hardware will damage the poly arm and could cause it to fail.**



**STEP 5 - ATTACH BRACKETS TO TRUCK FRAME**

- A. Install the center bracket as close to the end of the fender as possible. If possible, use existing bolt holes in the frame to attach. Either hole in the bracket may be used. **(See Figure 10)**
  - a. It is possible to remove any existing frame bolt and replace it with the supplied bolt in the bracket kit.
  - b. **Recommended torque is 160-170 ft.-lbs.**
- B. Once the front bracket is in position with the fender, tighten the 5/8" x 4-1/2" bolt that goes through the (10001472) swivel bracket to attach the swivel securely to the frame. **(See Figure 11)**
  - a. **Recommended torque is 160-170 ft.-lbs.**



**STEP 6 - ASSEMBLE BRACKETS**

- A. Slide the (10001478) stainless clamp over the (10001472) swivel bracket followed by the (10001554) stainless tube.
  - a. **Make sure the slot on the (10001554) stainless tube is facing down towards the ground.**
- B. The (10001554) stainless tube should be fully seated on the (10001472) swivel bracket.
- C. Position the stainless clamp 1/4" away from the end of the stainless tube.
- D. Tighten the (10001478) stainless clamp using the 5/8" x 2-1/4" bolt provided in the kit.
  - a. **Recommended torque is 30 ft.-lbs.**  
**OVER-TIGHTENING THE CLAMP WILL CAUSE THE CLAMP TO LOOSEN OVER TIME.**
    - i. **Figure 13 shows an example of over-tightening the clamp. Figure 14 shows an example of a properly tightened clamp.**
- E. Place the (10003106A) plastic end cap into the end of the stainless tube. **(See Figure 12)**



## STEP 7 - ATTACH FENDER TO BRACKETS

- A. There are two recommended configurations for fastening the fender to the (10001482) center bracket. If the end of the fender and the center bracket align, fasten the center bracket to the end of the fender using "Option A". If there is a gap between the center bracket and the end of the fender, use "Option B".

### Option A:

- With the fender end up against the (10001482) poly center bracket, drill three 5/16" holes through the fender using the holes in the bracket as a guide.
- Use three 5/16" x 1-1/2" bolts to fasten the center bracket and fenders together.
- Use 5/16" nuts on the inside of the fender.
- **Recommended torque is 10-15 ft.-lbs. (See Figure 15)**

### Option B:

- Some installations may not allow the center bracket to fasten to the end of the fender. In these cases, use poly angle (10001483) to connect the fender to the center bracket assembly.
- Use three 5/16" x 1-1/2" bolts to attach the (10001483) poly angle to the center bracket assembly. (Do not tighten bolts until the fender is level.)
- Drill four 5/16" holes through the fender using the holes in the (10001483) poly angle as a guide.
- Use four 5/16" x 1-1/2" bolts to fasten the center bracket and fender together.
- Use 5/16" nuts on the underside of the fender.
- **Recommended torque is 10-15 ft.-lbs. (See Figure 16)**

### NOTES:

- (10001483) is also used as a height adjustment aid for the end of the fender. Leave bolts finger tight until you achieve desired height for the fender and check it for level.
- B. Attach the fender to the (10001554) stainless tube bracket. (See Figure 17)
- a. Verify that the fenders are level across the frame and aligned with the tires for optimal clearance. Fenders that are installed in a deformed or twisted state may lead to material fatigue and reduce the life of the fender.
  - b. Install three U-bolts per stainless tube bracket.
  - c. Drill six 5/16" holes through the fender using the holes in the fender washers as a guide.
  - d. Use two fender washers per U-bolt. One on the outside of the fender, the other on the underside of the fender.
  - e. **Recommended torque is 75-90 in.-lbs. DO NOT EXCEED RECOMMENDED TORQUE.**  
*For further details, refer to the link in step 6.*
- C. If using the optional end cap, make sure to mount the (10001554) stainless tube bracket far enough from the end of the fender so it does not interfere with the bolts used to attach the end cap. (See Figure 18)

FIGURE 15

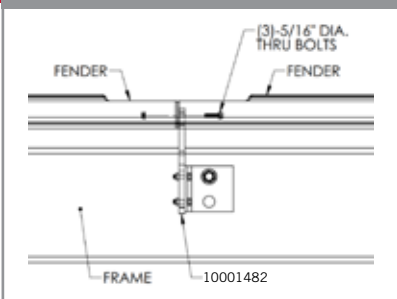


FIGURE 16

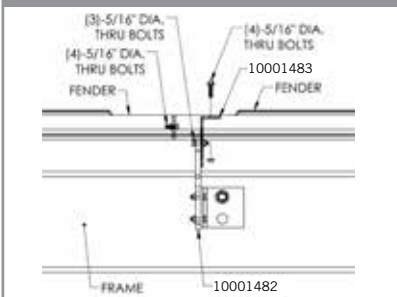


FIGURE 17

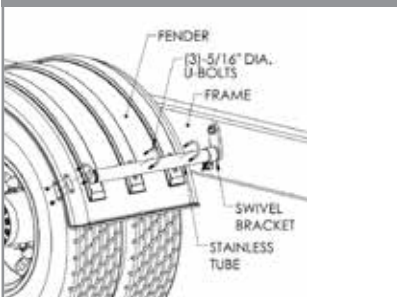
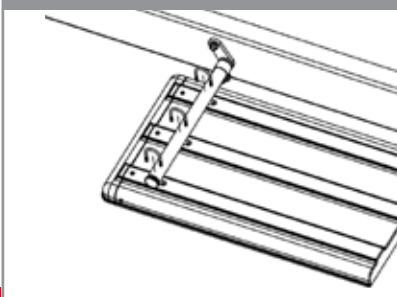


FIGURE 18



## STEP 8 - INSPECT AND REPEAT FOR ALL FENDERS

- A. For trucks with air suspension, raise and lower the suspension one final time to confirm that there is adequate clearance between the fenders and wheels.
- B. Repeat the install process for all fenders.
- C. Once fenders are in service, occasionally inspect the 5/8" bolts in the frame to confirm they do not loosen over time.

A DIVISION OF **HIGH BAR BRANDS, LLC**



**HIGH BAR  
BRANDS**



2701 18th Street SW, Owatonna, MN 55060  
1-800-248-3855 | Fax: 507-583-7540  
[www.minimizer.com](http://www.minimizer.com)