

IMPORTANT SAFETY INFORMATION

Item
#10007307

READ BEFORE INSTALLING OR USING MINIMIZER FLOOR MATS

INSTALLATION INSTRUCTIONS AVAILABLE AT

<https://www.minimizer.com/floormat-instructions>



USE THE SELECTOR TOOL TO ACCESS THE INSTALLATION INSTRUCTIONS FOR YOUR MAKE, MODEL, AND YEAR.

SAFETY INSTRUCTIONS FOR INSTALLATION:

- Use only with the specified vehicle make, model and year.
- Do not install on top of other floor mats.
- Install each floor mat with the Minimizer logo facing up.
- Use each floor mat only in its proper location in the vehicle.
- Make sure that the floor mats fit properly in your vehicle floor space.
- Do not place additional floor mats on top of the Minimizer floor mats.
- Carefully follow each of the installation instructions for Minimizer floor mats on the following pages.

SAFETY INSTRUCTIONS FOR VEHICLE OPERATION:

- Before starting or operating the vehicle, verify that the Minimizer floor mats are installed correctly, and that the driver side mat does not interfere with the accelerator, brake, or clutch pedal.
- Make sure there are no loose objects in the vehicle that could possibly interfere with the operation of the accelerator, brake, or clutch pedal.
- If your Minimizer floor mat becomes loose, stop the vehicle at the next safe location. Re-install the floor mat properly and securely. If that is not possible, remove the floor mat and place it in a location where it will not interfere with safe operation of the vehicle.
- Inform all drivers of these warnings before allowing them to operate a vehicle equipped with Minimizer floor mats.
- Minimizer floor mats are specifically designed for certain vehicles and may be used safely only with those vehicles. **VERIFY THAT THE MAKE, MODEL, AND YEAR OF THE VEHICLE IN WHICH YOU ARE INSTALLING THE FLOOR MATS ARE IDENTIFIED AS BEING COMPATIBLE WITH THE MINIMIZER FLOOR MATS YOU HAVE SELECTED.**
- If you have questions about these instructions or proper installation of your Minimizer floor mats, please contact Minimizer at (800) 248-3855

WARRANTY:

Minimizer Floor Mats are backed by a Lifetime Manufacturer's Warranty and are guaranteed against flaws due to faulty materials and/or unintended production variations. This warranty extends only to the original purchaser and excludes damage caused by abnormal use or conditions, including but not limited to extreme abrasive conditions and/or excessive exposure to chemicals such as bleach, gasoline and other fuels.

Disclaimer: Minimizer custom molded floor mats are not Kenworth goods and KENWORTH is a federally registered trademark of PACCAR, Inc.



INSTALLATION INSTRUCTIONS:

1. Remove other floor mats from the vehicle before installing Minimizer floor mats.
2. Install the Minimizer floor mats right side up, with the Minimizer logo visible.
3. Each Minimizer floor mat is contoured to fit a particular location in the vehicle and may be used safely only in that location.
4. Test fit the driver side floor mat. The mat should be pushed all the way forward so the front lip is making contact the doghouse trim panel and the fire wall.
5. Hand trimming may be required for different driver seat locations. See figures 1 and 2 for driver mat trim diagram.
 - a. For Minimizer seats, use a sharp utility knife to remove the blue shaded area in figure 1 and the blue & red shaded areas in figure 2.
 - b. The yellow shaded area in figure 2 can be hand trimmed to fit your trucks throttle pedal location as needed in the T600, T800 & W900 Models.
 - c. The red shaded area in figure 2 can be hand trimmed to fit different seat locations as needed in the T600, T800 & W900 models.
6. Move the accelerator, brake, and clutch pedals through their full range of motion to confirm there is no interference with the Minimizer floor mat.
7. Prior to operating the vehicle, read the Safety Instructions for Vehicle Operation.
8. FAILURE TO CORRECTLY INSTALL AND USE YOUR MINIMIZER FLOOR MATS ACCORDING TO THE INSTRUCTIONS ABOVE COULD PREVENT PROPER FUNCTIONING OF THE VEHICLE'S PEDALS, POTENTIALLY RESULTING IN LOSS OF CONTROL OF THE VEHICLE AND SERIOUS INJURY OR DEATH.

Figure 1 - Driver Mat Trimming Diagram for T270, T300 & T370 trucks

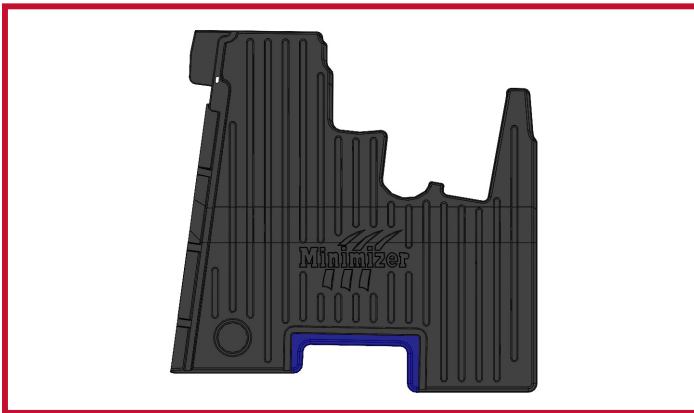
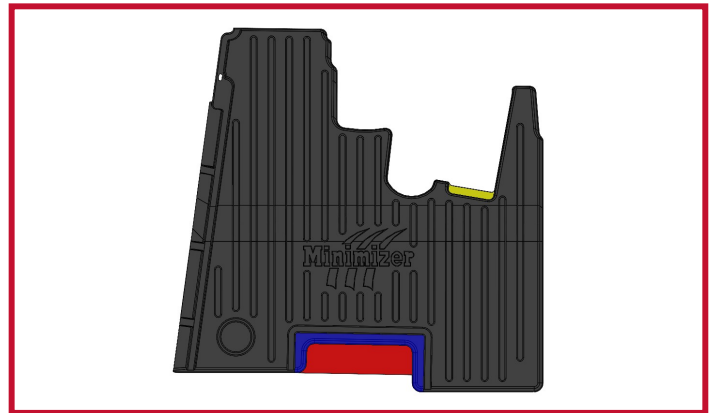


Figure 2 – Driver Mat Trimming Diagram for T600, T800 & W900 trucks



FLOOR MAT SECUREMENT KIT INSTALLATION INSTRUCTIONS

Notes:

- Do not install adhesive strips if surface temp of the vehicle floor or Minimizer floor mat is below 50 degrees Fahrenheit.
- Additional cleaning is required for vinyl floors recently detailed with Armor All or similar products.
- For use on vinyl or carpeted flooring
- For OEM Carpeted floors, skip the steps below pertaining to “attach loop strips to flooring” and install only the hook fastener strip on the back of the floor mat. The hook fastener will grip most OEM carpets without the need to adhere the loop strip to the flooring.
- Minimizer retention hooks should not be used together with the securement strips.

ATTACH HOOK STRIPS TO FLOOR MAT:

1. Lay the floor mat face down and locate two rectangular guidelines on the back of the floor mat (Figure 3).
2. Clean the area inside the guidelines with the alcohol wipes provided. Allow the cleaned area to dry for 1 minute
3. Activate the primer pen by crushing it near the black dot. Apply primer to the area inside the rectangular guidelines. One primer pen should cover two locations.
4. Allow the primer to dry on the floor mat for 2-5 minutes. Once dry, the primer will appear shiny. Use of a small fan will reduce the dry time.

Figure 3 - Rectangular Guideline



5. Once the primer is dry, remove the red backing from the hook material and apply the hook strip (Figure 4) to the floor mat. Tip: A file cleaner brush works well to peel away the red backing.
6. Apply firm pressure to the hook strip and for 30 seconds.
7. Repeat this procedure for second strip of hook fastener.

ATTACH LOOP STRIPS TO FLOORING:

1. Attach the loop strips (Figure 5) to the hook strips on the floor mat in step 1.
2. Place floor mat in truck. Confirm it is in the farthest forward position.
3. Outline the loop strips on the flooring with a felt marker (Figure 6).
4. Remove the floor mat and clean the outlined area with the alcohol wipe provided.
 - a. For flooring that is freshly detailed with Armor All or similar detailer products, additional cleaning is required to improve adhesion. Armor All and other detailer sprays leave oily residue behind. Failure to follow the cleaning procedure below, will cause a loss of adhesion.
 - b. First, wipe the flooring with a clean dry cloth to remove as much product as possible. Next, spray the area with a solution of water and Simple Green (4:1 ratio) and rub with a dry cloth. Finally, wipe the cleaned area with a damp rag to remove any traces of cleaning solution. Repeat as necessary.
5. Apply Primer 94 to the traced areas of flooring material that was cleaned in step 2c.
6. Let the primer dry on the flooring for 2-5 minutes. Once dry, the primer will appear shiny. Use a small fan to reduce drying time.
7. Remove the loop strip from the floor mat.
8. Remove the adhesive back and center the loop strip on the outline on the floor. Apply pressure to the strip for 30 seconds (Figure 7).
9. Install the floor mat. Allow all adhesive strips to bond for 24 hours before removing the floor mat from the truck.

Figure 4 - Hook Strip

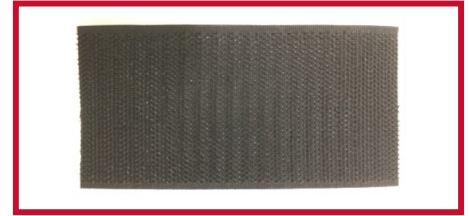


Figure 5 - Loop Strip



Figure 6 - Outline the Loop Strip



Figure 7 - Apply Pressure

