

Installation Instructions for Fender Bracket Kit 10001350



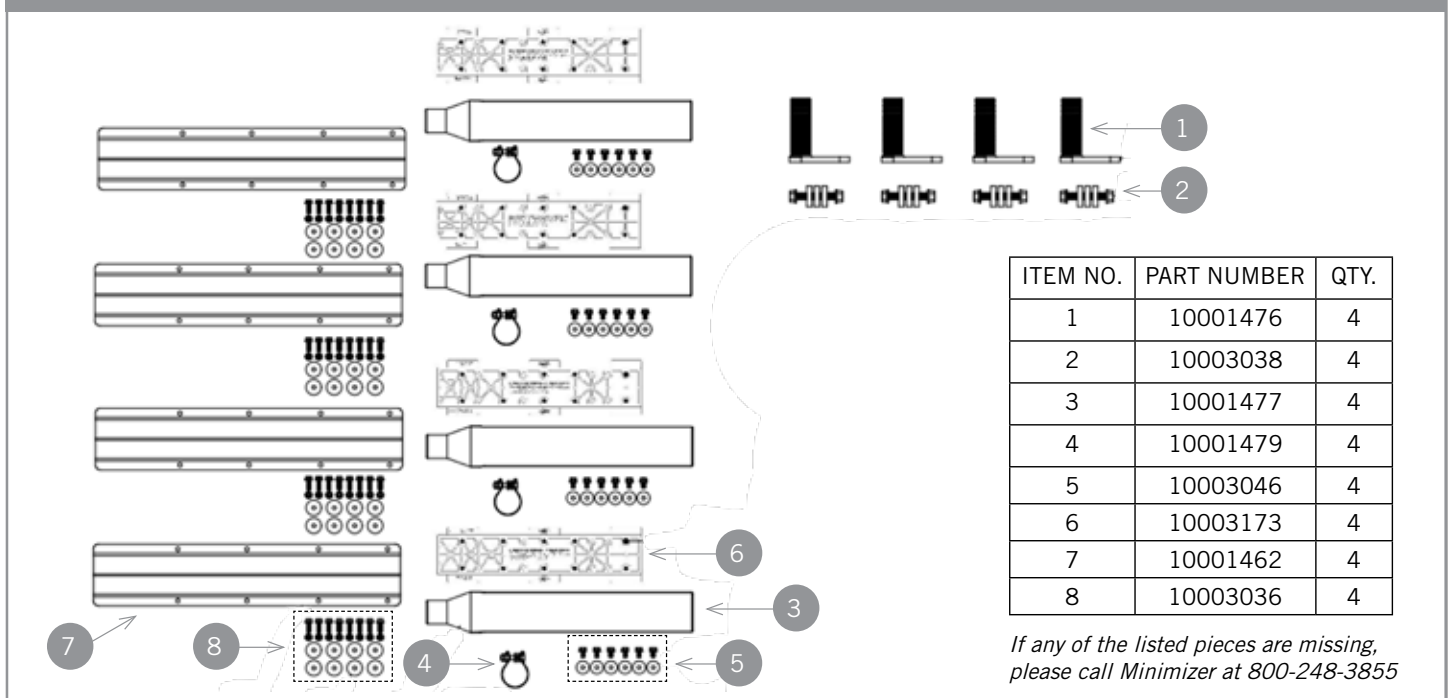
Document #10004999, Revision B

Brackets are Compatible with Models: MIN300 & MIN318.

STEP 1 - IDENTIFY PARTS

- A. Lay out parts and hardware packs.
- B. Compare the parts and hardware with bracket kit 10001350 as shown in **Figure 1**.

FIGURE 1



STEP 2 - JOIN FENDERS

- A. Lay the fenders out and clamp them together once they are aligned. This will make bolting them together easier. (See **Figure 2**)
- B. The vertical lip of both fenders needs to be cut off to accommodate the (10001462) center support bracket.
 - a. This will be located on the side that is closest to the truck frame.
 - b. Place a mark 3" in from the end of each fender. (See **Figure 3**)
 - c. Draw outline of the area that needs to be cut out similar to **Figure 4**.
 - d. Cut out the marked off area.

FIGURE 2

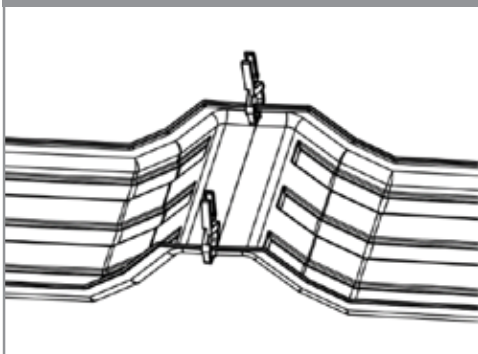


FIGURE 3

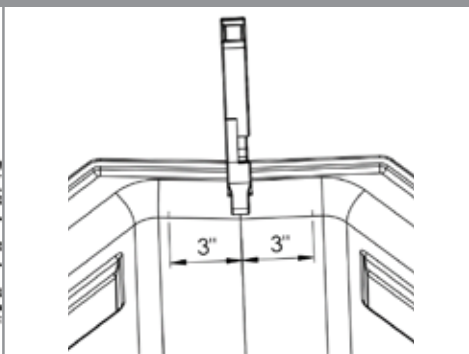
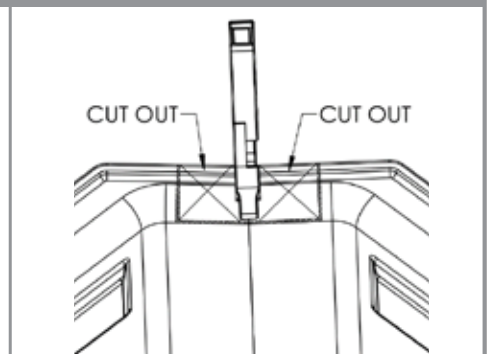


FIGURE 4



Installation Instructions for Fender Bracket Kit 10001350

Document #10004999, Revision B

Brackets are Compatible with Models: MIN300 & MIN318.



- C. Make sure the center bracket and the trim plate (if purchased) are centered between the two fenders. (See Figure 5)

Tip: The center bracket (10001462) "V" should be facing down.

- Drill eight holes through the fender and trim plate from the bottom using the holes in the (10001462) center bracket as a guide.
- Use eight 5/16" x 1" bolts to bolt the fenders, trim plate, and center bracket together.
- Use eight 5/16" nuts provided with the kit on the underside of the fenders.
- Recommended torque is 10-15 ft.-lbs.**

Tip: Start with the bolts closest to the truck frame and work towards the outside.

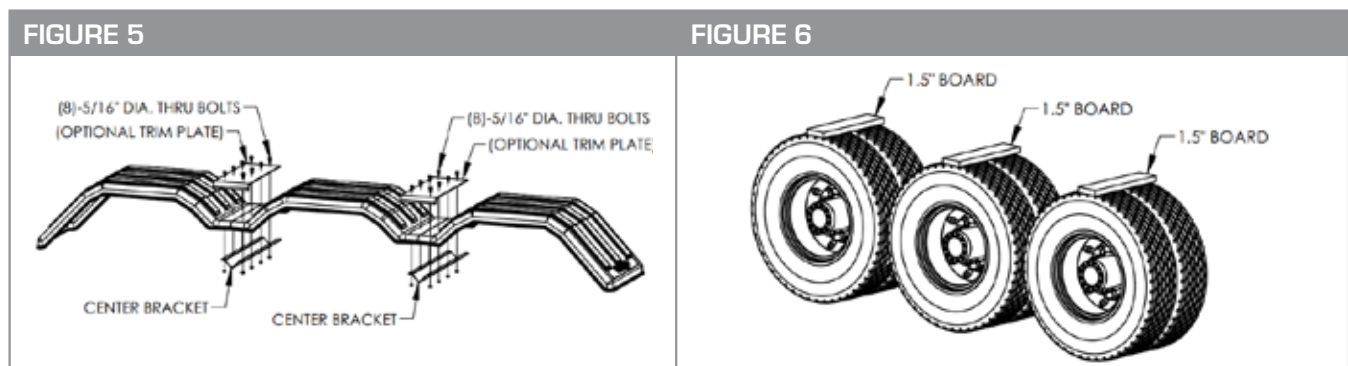
STEP 3 - DETERMINE SIZE OF SPACERS AND POSITION FENDERS

- Confirm the total suspension travel distance. This is used to determine the clearance required between the fender and the tire.
 - For air suspension systems, dump the air bags and confirm it is the lowest point of travel.
 - Understand that some air suspension designs may cause the wheels to roll closer to the fender (roll forward) as the suspension deflates. In order to make sure the fenders are centered on the tires, test the suspension in the inflated and deflated positions to determine the best positioning so that the fenders are centered over the tires in the inflated position.
 - For **air suspensions with travel exceeding 6"**, a travel stop may need to be installed to reduce required clearance between the fenders and tires. This will also improve alignment and 5th wheel plate clearance. (Please call Minimizer @ 800-248-3855 for questions regarding this issue).
 - For spring systems, measure the distance between the spring assembly and the bump stops on the frame and record the measurement.
- Place the fenders on spacer blocks above the tires.
 - In most applications 1.5" of tire clearance is best.
 - The goal is to ensure the fender does not rub the tire.
 - The minimum clearance recommended is $\frac{3}{4}$ " above the maximum travel point of the suspension system.
 - For an air suspension system, place a $\frac{3}{4}$ " to 1.5" thick board on top of the tires after the air is released from the airbags. (See Figure 6)
 - For spring suspensions use spacer material that is $\frac{3}{4}$ " to 1.5" thicker than the measurement recorded above.
- For trucks with air suspension, raise and lower the suspension to confirm the clearance between the fenders and wheels and that the fenders will be centered front to rear when the air suspension is inflated.

STEP 4 - POSITION FENDERS

- With the fenders in position, mark and test fit the brackets where they will attach to the frame.
- If possible, use existing bolt holes in the frame to attach the front and rear (10001477) paddle brackets.

Tip: It is common for the front bracket to align with the existing quarter fender holes.



Installation Instructions for Fender Bracket Kit 10001350

Document #10004999, Revision B

Brackets are Compatible with Models: MIN300 & MIN318.



- C. If possible, use existing bolt holes in the frame to attach a steel plate (not supplied) for the center bracket and weld the bracket to the plate. (See Figure 7)
 - a. Plate should be a minimum of 1/4" thick.
- D. Another option is to weld the bracket directly to the frame.

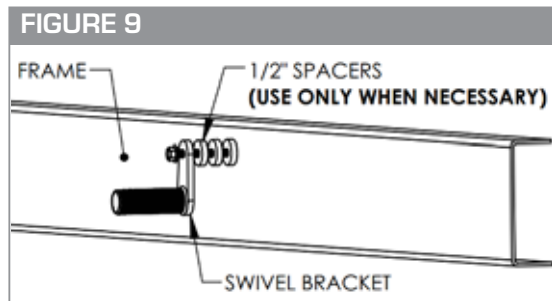
Warning: Review vehicle owner's manual before welding directly to the frame.

- E. If possible, position the mounting brackets low on the fender so they are no more than 15" from the bottom. (See Figure 8)
 - a. Brackets mounted 8-12" from the edge is optimal.
 - b. The goal is to reduce the risk of the leading edge of the fender from blowing back against the tire during high wind.

Tip: If the front fender bracket is mounted higher than 15", refer to the link below for further suggestions on adding additional support
<http://www.minimizer.com/instructions.html>

NOTES:

- Round spacers are supplied to hold the (10001476) swivel bracket away from the frame when needed. In some cases, frame components may interfere with the required bracket location and require a spacer. (See Figure 9)
- Trim the pipe component of the swivel bracket as needed.
- **USE SPACERS ONLY WHEN NECESSARY!** The ideal installation is to mount the (10001476) swivel bracket directly to the frame using no spacers.
- If using the mounting hole inside the pipe of the swivel bracket, the excess flat steel may be trimmed off to provide a cleaner look.



STEP 5 - ATTACH BRACKETS TO TRUCK FRAME

- A. Once the front bracket is in position with the fender, tighten the 5/8" x 4-1/2" bolt that goes through the (10001476) swivel bracket to attach the swivel securely to the frame. (See Figure 10)
 - a. **Recommended torque is 160-170 ft-lbs.**

STEP 6 - ASSEMBLE BRACKETS

- A. Slide the (10001477) paddle bracket over the (10001476) swivel bracket.
 - a. **Make sure the pipe of the (10001476) is fully inserted into the paddle bracket.**
- B. Verify that the fenders are level across the frame and aligned with the tires for optimal clearance. Fenders that are installed in a deformed or twisted state, may lead to material fatigue, and reduce the life of the fender.
 - a. Rotate the (10001477) paddle bracket so it makes good contact with fender.
- C. Attach the drilling template provided in the kit to the surface of the fender.
 - a. Insert the drilling template between the fender and the (10001477) paddle bracket as shown in Figure 11.

FIGURE 7

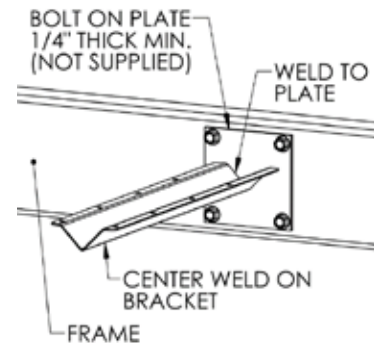


FIGURE 8

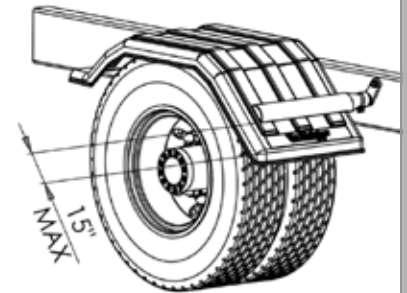


FIGURE 10

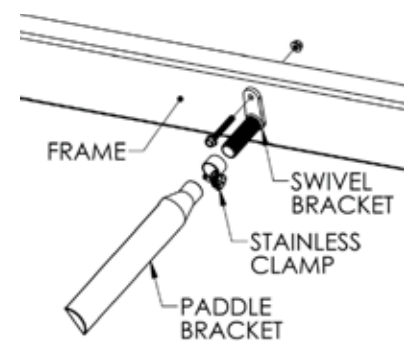


FIGURE 11



Installation Instructions for Fender Bracket Kit 10001350

Document #10004999, Revision B

Brackets are Compatible with Models: MIN300 & MIN318.



- b. Apply tape to the tabs of the template to secure it in place as shown in **Figure 12**.
- c. Remove the fender from the wheels and confirm that the templates are secure
- D. With the fender removed, drill six 3/8" holes through the fender using the template as a guide.
 - a. Kit includes one drilling template per paddle bracket.
 - b. Once drilling is complete, remove templates.

STEP 7 - ATTACH FENDER TO BRACKETS

- A. Remove the (10001477) paddle bracket from the (10001476) swivel and attach the fender to the (10001477) paddle bracket with six 5/16" x 5/8" bolts and 5/16" fender washers.
 - a. **Turn each bolt approximately 2 full turns. Do not fully tighten.**
- B. Once both paddle brackets are attached to the fender, slide the (10001479) stainless clamps over the end of the (10001477) paddle brackets.
- C. Carefully lift the fender over the tires and slide the (10001477) paddle brackets onto the (10001476) swivel brackets that are mounted on the frame. **(See Figure 13)**
 - a. Make sure the pipe of the (10001476) is fully inserted into the paddle bracket.
 - b. Position the (10001479) stainless clamp 1/4" from the edge of the paddle bracket.
 - c. **Recommended torque for (10001479) is 50 ft-lbs. (17mm. wrench or deep socket needed.)**
 - d. Properly tightened (10001479) stainless clamp should look like the image in **Figure 14**.
- D. Tighten all of the 5/16" fender bolts used to attach the paddle brackets in step 7A.
 - a. **Recommended torque is 10 ft-lbs.**

STEP 8 - INSPECT AND REPEAT FOR ALL FENDERS

- A. For trucks with air suspension, raise and lower the suspension one final time to confirm that there is adequate clearance between the fenders and wheels.
- B. Repeat the install process for all fenders.
- C. Once fenders are in service, occasionally inspect the 5/8" bolts in the frame to confirm they do not loosen over time.

FIGURE 12



FIGURE 13



FIGURE 14



A DIVISION OF **HIGH BAR BRANDS, LLC**



2701 18th Street SW, Owatonna, MN 55060
1-800-248-3855 | Fax: 507-583-7540
www.highbarbrands.com