

Installation Instructions for Steerable Lift Axle Fender Bracket Kit 10001449



Document #10005688, Revision A

Brackets are Compatible with Models:

Eaton Front or Rear Cam.

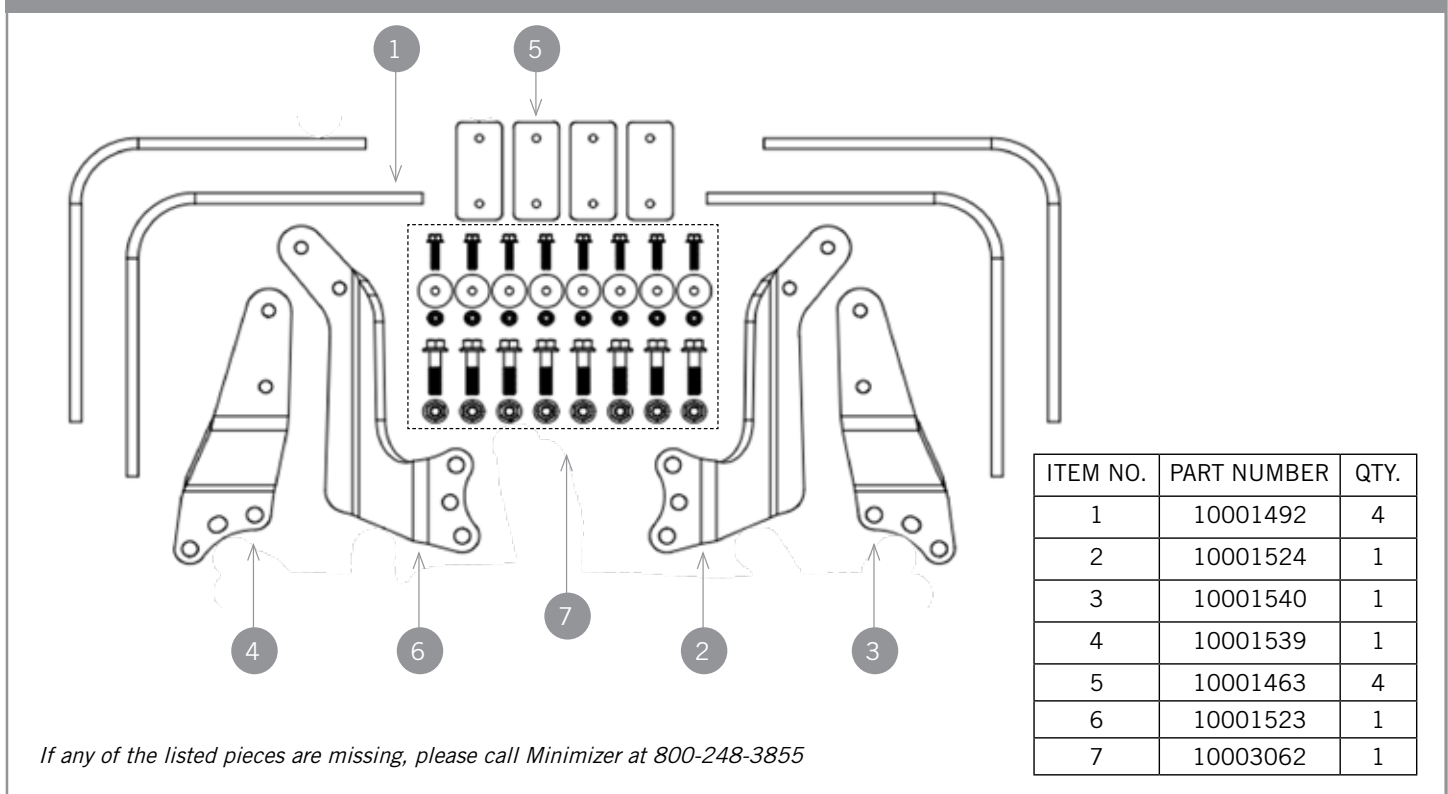
(Designed for use with MIN161200 & MIN221800)

STEP 1 - IDENTIFY PARTS

- Lay out parts and hardware packs.
- Compare the parts and hardware with bracket kit 10001449 as shown in **Figure 1**.

NOTE: Bolts are only provided for steps 3 & 4. Bolt sizes vary in step 2 depending on the application and are not provided.

FIGURE 1



STEP 2 - ATTACH BRACKETS TO TRUCK

- Remove the wheel assembly from the hub on the right side of the vehicle.
- Remove the hub and drum assembly.
 - With outboard hubs, you may only have to remove the drum.
- Remove the lower three backing plate to spindle bolts on the rear side of the spindle.
- Install the (10001540) rear fender bracket using longer grade 8 bolts and 2 to 6 SAE flat washers between the bracket and the spindle. (This is to get the bracket away from the irregular surface.)
- Install the (10001524) front fender bracket using the lower three holes and the same number of washers as the front bracket.
- Re-install the hub, brake drum and wheel assembly.

NOTE:

- Repeat step 2 on the left side using fender brackets (10001539) and (10001523).

STEP 3 - POSITION BRACKETS AND FENDERS

- A. Place the Minimizer fender over the tire using shims for clearance.
(See Figure 2)
 - a. Place a 1-1/2" block on top of the tire to establish a clearance between the tire and fender. **(See Figure 3)**
- B. Cut the four (10001492) aluminum arms to length depending on the application.
- C. Clamp the (10001492) aluminum arms parallel to the top edge of the steel fender brackets with vice grip clamps so the inside of the aluminum arm is 1-1/2" clear of the tire. **(See Figure 4)**
 - a. The aluminum arm should be located on the inside face of the fender bracket.
 - b. If necessary, trim any excess material from aluminum arms that may extend past the bend in the mounting plate. **(See Figure 5)**

FIGURE 2



FIGURE 3



FIGURE 4

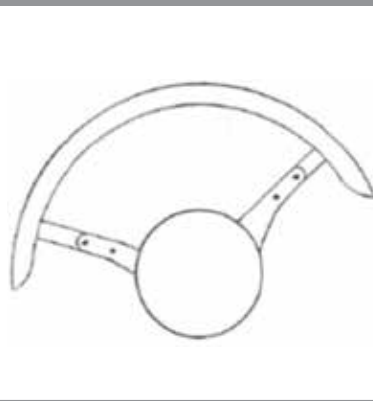
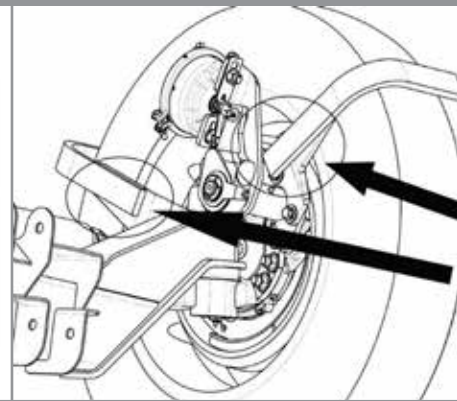


FIGURE 5



Mark and trim any excess material from the aluminum arms that extend past the bend in the mounting plate.

- D. Use the holes in the steel bracket attached to the axle as a template to locate and mark the mounting holes in the aluminum arms. **(See Figure 6)**
- E. Drill two 9/16" holes in each aluminum arm in the locations that were marked in the previous step.
- F. Bolt the aluminum arms to the steel fender brackets using the 1/2" x 2" flange head bolts and the 1/2" top lock flange nuts. **(See Figure 7)**
 - a. **Recommended torque is 75-83 ft.-lbs.**

FIGURE 6

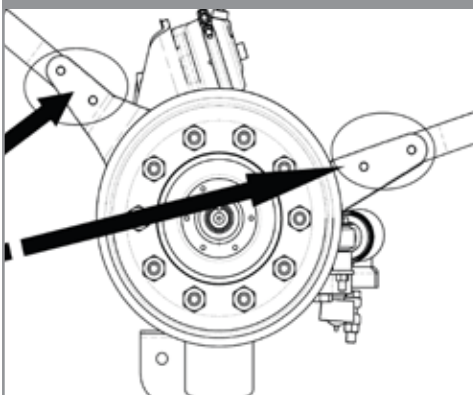
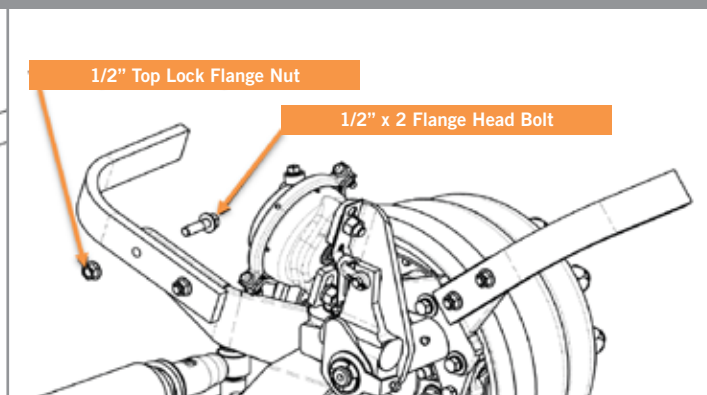


FIGURE 7



STEP 4 - ATTACH FENDER TO BRACKETS

- A. Attach the (10001492) aluminum arms and (10001463) steel backing plates to the fender. **(See Figure 8)**
- B. The (10001463) steel backing plates are not needed when installing the MIN161200 fenders and may be discarded.

NOTE:

- The (10001463) steel backing plate and the (10001492) aluminum arm **MUST** be installed on opposing faces of the fender to be eligible for Minimizer warranty.



- C. Confirm that the fender is parallel to the tire.
- D. Align the (10001463) steel backing plate so it is even (top to bottom) with the (10001492) aluminum arm. Use one plate per aluminum arm.
- E. Drill two clearance holes or tap threads in the aluminum arms.
 - a. Option 1 is to drill two 11/32" diameter holes thru the fender and aluminum arm using the steel backing plate as a template.
 - i. Use two 5/16"-18 bolts with self-locking nuts provided in the kit.
 - b. Option 2 is to drill and tap 5/16"-18 threads into the aluminum arm using the steel backing plate as a template. This option provides increased tire clearance.
 - c. Shorter 5/16" bolts are required for option 2 and are not included in the kit.
- F. Install fender bolts. **Recommended torque is 5-7 ft.-lbs.**
 - a. **DO NOT EXCEED THE RECOMMENDED TORQUE.**

STEP 5 - INSPECT AND REPEAT FOR ALL FENDERS

- A. Repeat steps 3 and 4 to install the fender on the opposite side of the vehicle.

A DIVISION OF **HIGH BAR BRANDS, LLC**



2701 18th Street SW, Owatonna, MN 55060
1-800-248-3855 | Fax: 507-583-7540
www.highbarbrands.com