



Document #10006023

FENDER LIGHT-KIT #10004622 (SOLD SEPARATE) IS DESIGNED FOR USE ON MINIMIZER LIGHTED FENDERS. THE KIT IS DESIGNED TO WORK WITH BOTH STYLES OF MINIMIZER LIGHTED FENDERS, THE OLDER BACKING PLATE STYLE AS WELL AS THE NEWER LIGHT CUP STYLE.

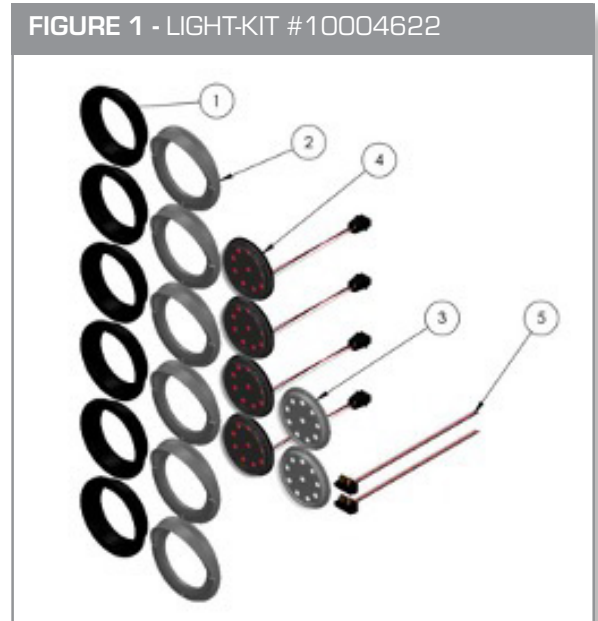
TOOLS REQUIRED: Phillips Head Screwdriver, Power Drill and Drill Bit large enough to accommodate your wiring harness.

LIGHT-KIT #10004622 CONTENTS:

ITEM NO.	PART NUMBER	DESCRIPTION	QTY.
1	10003347	Light, CHROME, BZL-VSR	6
2	10003348	Light, GRMT, RBR, RND, 4IN	6
3	10003349	Light, PLUG, RGHT-ANGL, 3WIR	2
4	10003350	Light, RED, 10LED, RND, 4IN, LOW-PRO	4
5	10003351	Light, WHT, 20LED, RND, 4IN, LOW-PRO	2

TABLE 1 – Bill of Materials

FIGURE 1 - LIGHT-KIT #10004622



STEP 1 - PREPARE THE FENDERS

DRIVER SIDE FENDER:

With the fender light holes facing you, drill a hole in the right wall of the fender to run electrical wires from LED lights to the frame rail. See Figure 2.

PASSENGER SIDE FENDER:

With the fender light holes facing you, drill a hole in the left wall of the fender to run electrical wires from LED lights to the frame rail. See Figure 3.

FIGURE 2 - DRIVER SIDE WIRING HOLE LOCATION

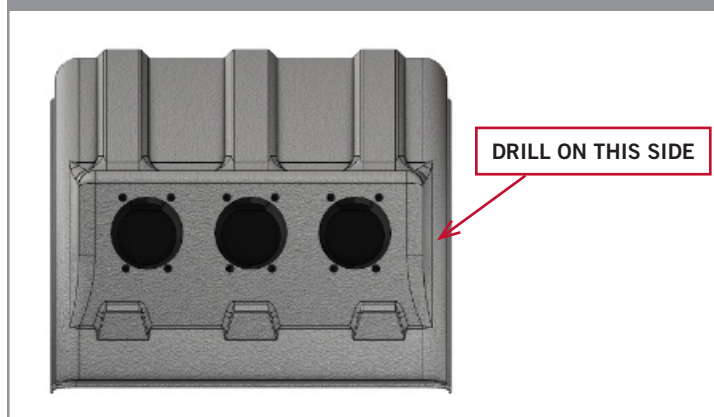
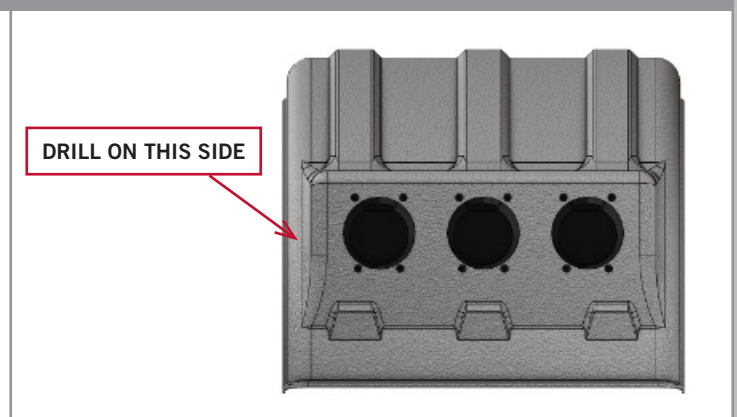


FIGURE 3 - PASSENGER SIDE WIRING HOLE LOCATION



NOTE: The light cups have a small flat surface to drill through to prevent the drill bit from slipping.

STEP 2 - INSERT THE RUBBER GROMMETS

Each light should have a rubber grommet inserted into the light hole to hold the light in place and seal out the weather. (See **Figure 4**)

STEP 3 - WIRE THE LIGHTS TO THE TRUCK

Connect the wiring from each light to the corresponding wiring on your truck. See the back of the LED lights for the function of each wire as shown in **Figure 5**. The red LED lights are pre-wired and the white lights come with a loose three wire plug. Test all lights to insure they are working as intended.

STEP 4 - INSERT THE LED LIGHTS

After you have tested the lights, press the, firmly into the rubber grommets, making sure the wiring on the backside of the lights is oriented towards the top.

STEP 5 - INSTALL THE CHROME BEZELS

Once all of the lights have been installed, place the chrome bezels over the lights as shown in **Figure 6**. Using the provided hardware, screw them in place using a Phillips Head screwdriver.

FIGURE 4 -
FENDER WITH RUBBER GROMMET



FIGURE 5 -
BACK OF RED LED LIGHT.

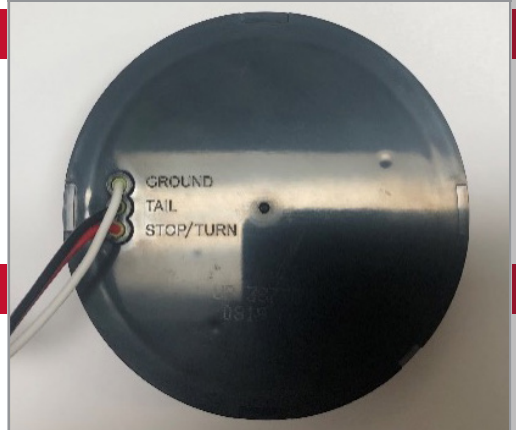


FIGURE 6 -
FINAL LED LIGHT INSTALLED



A DIVISION OF **HIGH BAR BRANDS, LLC**



2701 18th Street SW, Owatonna, MN 55060
1-800-248-3855 | Fax: 507-583-7540
www.highbarbrands.com